



**State of West Virginia  
Request For Quotation  
Agricultural**

**Procurement Folder : 625566**

**Document Description : Bowden Hatchery Fish Grading, Counting & Pumping System**

**Procurement Type : Agency Purchase Order**

Date Issued	Solicitation Closes	Solicitation No			Version	Phase
2020-01-22	2020-02-25 13:30:00	ARFQ	0310	DNR2000000017	1	Final

SUBMIT RESPONSES TO:	VENDOR
BID RESPONSE DIVISION OF NATURAL RESOURCES PROPERTY & PROCUREMENT OFFICE 324 4TH AVE SOUTH CHARLESTON WV 25303-1228 US	<b>Vendor Name, Address and Telephone</b> <b>FAIVRE SASU</b> 7 rue de l'industrie 25110 Baume-Lkes-Dames France +333 81 84 01 32

**FOR INFORMATION CONTACT THE**  
 James H Adkins  
 (304) 558-3397  
 jamie.h.adkins@wv.gov

**Signature X**  **FEIN #** **DATE** 02-21-2020

**ADDITIONAL INFORMATION:**

Request for Quotation

The West Virginia Division of Natural Resources is soliciting bids on behalf of the Wildlife Resources Section, Fish Hatchery Program, to establish a contract for the one time purchase of a fish grading, counting and pumping system for Bowden Hatchery located in Bowden WV.

INVOICE TO		SHIP TO	
DIVISION OF NATURAL RESOURCES WILDLIFE RESOURCES SECTION ELKINS OPERATIONS CENTER PO BOX 67		DIVISION OF NATURAL RESOURCES BOWDEN HATCHERY RT 1, BOX 80	
ELKINS	WV26241	ELKINS	WV 26241
US		US	

Line	Commodity Line Description	Qty	Unit Issue	Unit Price	Total Price
1	Fishing and aquaculture equipment	1.00000	LS		

Commodity Code	Manufacturer	Model #	Specification
21110000			

**Extended Description**

3.1 Fish grading, counting &amp; pumping system per attached specifications.

**SCHEDULE OF EVENTS**

Line	Event	Event Date
1	Technical Question Deadline at 9:00 a.m. EST	2020-02-13

<b>DNR2000000017</b>	<b>Document Phase</b> Final	<b>Document Description</b> Bowden Hatchery Fish Grading, Counting & Pumping System	<b>Page 3</b> <b>of 3</b>
----------------------	--------------------------------	---	------------------------------

**ADDITIONAL TERMS AND CONDITIONS**

See attached document(s) for additional Terms and Conditions



## West Virginia Division of Natural Resources

# INSTRUCTIONS TO VENDORS & AGENCY TERMS AND CONDITIONS

## INSTRUCTIONS

**1. REVIEW DOCUMENTS THOROUGHLY:** The attached documents contain a solicitation for bids. Please read these instructions and all documents attached in their entirety. These instructions provide critical information about requirements that if overlooked could lead to disqualification of a Vendor's bid. All bids must be submitted in accordance with the provisions contained in these instructions and the Solicitation. Failure to do so may result in disqualification of a Vendor's bid.

**2. MANDATORY TERMS:** The Solicitation may contain mandatory provisions identified by the use of the words "must," "will," and "shall" which identify a mandatory item or requirement. Failure to comply with a mandatory term in the Solicitation will result in bid disqualification.

**3. PREBID MEETING:** The item identified below shall apply to this Solicitation.

A pre-bid meeting will not be held prior to bid opening.

A **NON-MANDATORY** pre-bid meeting will be held at the following place and time:

A **MANDATORY** pre-bid meeting will be held at the following place and time:

All Vendors submitting a bid must attend the mandatory pre-bid meeting. Failure to attend the mandatory pre-bid meeting shall result in disqualification of the Vendor's bid. No one person attending the pre-bid meeting may represent more than one Vendor.

An attendance sheet provided at the pre-bid meeting shall serve as the official document verifying attendance. The State will not accept any other form of proof or documentation to verify attendance. Any person attending the pre-bid meeting on behalf of a Vendor must list on the attendance sheet his or her name and the name of the Vendor he or she is representing.

Additionally, the person attending the pre-bid meeting should include the Vendor's e-mail address, phone number, and Fax number on the attendance sheet. It is the Vendor's responsibility to locate the attendance sheet and provide the required information. Failure to complete the attendance sheet as required may result in disqualification of Vendor's bid.

All Vendors should arrive prior to the starting time for the pre-bid. Vendors who arrive after the starting time but prior to the end of the pre-bid will be permitted to sign in, but are charged with knowing all matters discussed at the pre-bid.

Questions submitted at least five (5) business days prior to a scheduled pre-bid will be discussed at the pre-bid meeting if possible. Any discussions or answers to questions at the pre-bid meeting are preliminary in nature and are non-binding. Official and binding answers to questions will be published in a written addendum to the Solicitation prior to bid opening.

**4. VENDOR QUESTION DEADLINE:** Vendors may submit questions relating to this Solicitation to the Property and Procurement Office. Questions must be submitted in writing. All questions must be submitted on or before the date listed below and to the address listed below in order to be considered. A written response will be published in a Solicitation addendum if a response is possible and appropriate. Non-written discussions, conversations, or questions and answers regarding this Solicitation are preliminary in nature and are nonbinding.

Submitted e-mails should have solicitation number in the subject line.

Question Submission Deadline: Thursday, FEBRUARY 13, 2020 @ 9:00 a.m. EST

Submit Questions to:  
West Virginia Division of Natural Resources  
Property and Procurement Office  
Attention: Jon Castleberry  
South Charleston, WV 25303  
Fax: (304) 558-2165  
Email: Jon.M.Castleberry@wv.gov

**5. VERBAL COMMUNICATION:** Any verbal communication between the Vendor and any State personnel is not binding, including verbal communication at the mandatory pre-bid conference. Only information issued in writing and added to the Solicitation by an official written addendum by the Property and Procurement Office is binding.

**6. BID SUBMISSION:** All bids must be submitted electronically through wvOASIS or signed and delivered by the Vendor to the Property and Procurement Office at the address listed below on or before the date and time of the bid opening. Any bid received by the Property and Procurement Office is considered to be in the possession of the Office and will not be returned for any reason. Acceptable delivery methods include electronic submission via wvOASIS, hand delivery, delivery by courier, or facsimile.

The bid delivery address is:

West Virginia Division of Natural Resources  
Property and Procurement Office  
324 4<sup>th</sup> Avenue  
South Charleston, WV 25303

A bid that is not submitted electronically through wvOASIS should contain the information listed below on the face of the envelope or the bid may be rejected by the West Virginia Division of Natural Resources.:

SEALED BID:

BUYER: Jon Castleberry  
SOLICITATION NUMBER: ARFQ DNR2000000017  
BID CLOSING DATE: Tuesday, FEBRUARY 25, 2020  
BID CLOSING TIME: 1:30 p.m. EST  
FAX NUMBER: 304-558-2165

The Property and Procurement Office may prohibit the submission of bids electronically through wvOASIS at its sole discretion. Such a prohibition will be contained and communicated in the wvOASIS system resulting in the Vendor's inability to submit bids through wvOASIS. Submission of a response to an Expression or Interest or Request for Proposal is not permitted in wvOASIS.

**For Agency Request for Proposal ("ARFP") Responses Only:** In the event that Vendor is responding to a request for proposal, the Vendor shall submit one original technical and one original cost proposal plus \_\_\_\_\_ convenience copies of each to the Property and Procurement Office at the address shown above. Additionally, the Vendor should identify the bid type as either a technical or cost proposal on the face of each bid envelope submitted in response to a request for proposal as follows:

BID TYPE:

Technical  
 Cost

**7. BID OPENING:** Bids submitted in response to this Solicitation will be opened at the location identified below on the date and time listed below. Delivery of a bid after the bid opening date and time will result in bid disqualification. For purposes of this Solicitation, a bid is considered delivered when confirmation of delivery is provided by wvOASIS (in the case of electronic submission) or when the bid is time stamped by the official Property and Procurement Office time clock (in the case of hand delivery).

Bid Opening Date and Time: Tuesday, FEBRUARY 25, 2020 at 1:30 p.m. EST

Bid Opening Location:  
West Virginia Division of Natural Resources  
Property and Procurement Office  
324 4<sup>th</sup> Avenue  
South Charleston, WV 25303

**8. ADDENDUM ACKNOWLEDGEMENT:** Changes or revisions to this Solicitation will be made by an official written addendum issued by the Property and Procurement Office. Vendor should acknowledge receipt of all addenda issued with this Solicitation by completing an Addendum Acknowledgment Form, a copy of which is included herewith. Failure to acknowledge addenda may result in bid disqualification. The addendum acknowledgement should be submitted with the bid to expedite document processing.

**9. BID FORMATTING:** Vendor should type or electronically enter the information onto its bid to prevent errors in the evaluation. Failure to type or electronically enter the information may result in bid disqualification.

**10. ALTERNATE MODEL OR BRAND:** Unless the box below is checked, any model, brand, or specification listed in this Solicitation establishes the acceptable level of quality only and is not intended to reflect a preference for, or in any way favor, a particular brand or vendor. Vendors may bid alternates to a listed model or brand provided that the alternate is at least equal to the model or brand and complies with the required specifications. The equality of any alternate being bid shall be determined by the State at its sole discretion. Any Vendor bidding an alternate model or brand should clearly identify the alternate items in its bid and should include manufacturer's specifications, industry literature, and/or any other relevant documentation demonstrating the equality of the alternate items. Failure to provide information for alternate items may be grounds for rejection of a Vendor's bid.

This solicitation is based upon a standardized commodity established under W. Va. Code §5A-3-61. Vendors are expected to bid the standardized commodity identified. Failure to bid the standardized commodity will result in your firm's bid being rejected.

**11. EXCEPTIONS AND CLARIFICATIONS:** The Solicitation contains the specifications that shall form the basis of a contractual agreement. Vendor shall clearly mark any exceptions, clarifications, or other proposed modifications in its bid. Exceptions to, clarifications of, or

modifications of a requirement or term and condition of the Solicitation may result in bid disqualification.

**12. COMMUNICATION LIMITATIONS:** In accordance with West Virginia Division of Natural Resources Series IV Purchasing Guidelines and Procedures §6.6. communication with the State of West Virginia or any of its employees regarding this Solicitation during the solicitation, bid, evaluation or award periods, except through the Property and Procurement Office, is strictly prohibited without prior Property and Procurement Office approval. Property and Procurement Office approval for such communication is implied for all agency delegated and exempt purchases.

**13. REGISTRATION:** Prior to Contract award, the apparent successful Vendor must be properly registered with the West Virginia Purchasing Division and must have paid the \$125 fee, if applicable.

**14. UNIT PRICE:** Unit prices shall prevail in cases of a discrepancy in the Vendor's bid.

**15. PREFERENCE:** Vendor Preference may be requested in purchases of motor vehicles or construction and maintenance equipment and machinery used in highway and other infrastructure projects. Any request for preference must be submitted in writing with the bid, must specifically identify the preference requested with reference to the applicable subsection of West Virginia Code §5A-3-37, and should include with the bid any information necessary to evaluate and confirm the applicability of the requested preference. A request form to help facilitate the request can be found at: <http://www.state.wv.us/admin/purchase/vrc/Venpref.pdf>.

**15A. RECIPROCAL PREFERENCE:** The State of West Virginia applies a reciprocal preference to all solicitations for commodities and printing in accordance with the W. Va. Code §5A-3-37(b). In effect, non-resident vendors receiving a preference in their home states will see that same preference granted to West Virginia resident vendors bidding against them in West Virginia. A request form to help facilitate the request can be found at : <http://www.state.wv.us/admin/purchase/vrc/Venpref/pdf>.

**16. SMALL, WOMEN-OWNED, OR MINORITY-OWNED BUSINESSES:** For any solicitations publicly advertised for bid, in accordance with W. Va. Code §5A-3-37(a)(7) and W. Va. Code R. § 148-22-9, any non-resident vendor certified as a small, women-owned, or minority owned business under W. Va. Code R. § 148-22-9 shall be provided the same preference made available to any resident vendor. Any non-resident small, women-owned, or minority-owned business must identify itself as such in writing, must submit that writing to the Property and Procurement Office with its bid, and must be properly certified under W. Va. Code R. § 148-22-9 prior to contract award to receive the preferences made available to resident vendors. Preference for a non-resident small, women-owned, or minority owned business shall be applied in accordance with W. Va. Code R. § 148-22-9.

**17. WAIVER OF MINOR IRREGULARITIES:** The Chief Procurement Officer reserves the right to waive minor irregularities in bids or specifications in accordance with West Virginia Division of Natural Resources Series IV Purchasing Guidelines and Procedures § 4.1.g.



**18. ELECTRONIC FILE ACCESS RESTRICTIONS:** Vendor must ensure that its submission in wvOASIS can be accessed and viewed by the Property and Procurement Office staff immediately upon bid opening. The Property and Procurement Office will consider any file that cannot be immediately accessed and viewed at the time of the bid opening (such as, encrypted files, password protected files, or incompatible files) to be blank or incomplete as context requires and are therefore unacceptable. A vendor will not be permitted to unencrypt files, remove password protections, or resubmit documents after bid opening to make a file viewable if those documents are required with the bid. A Vendor may be required to provide document passwords or remove access restrictions to allow the Property and Procurement Office to print or electronically save documents provided that those documents are viewable by the Property and Procurement Office prior to obtaining the password or removing the access restriction.

**19. NON-RESPONSIBLE:** The Chief Procurement Officer reserves the right to reject the bid of any vendor as Non-Responsible in accordance with West Virginia Division of Natural Resources Series IV Purchasing Guidelines and Procedures §5.5.a., when the Chief Procurement Officer determines that the vendor submitting the bid does not have the capability to fully perform, or lacks the integrity and reliability to assure good-faith performance.

**20. ACCEPTANCE/REJECTION:** The Agency may accept or reject any bid in whole, or in part in accordance with West Virginia Division of Natural Resources Series IV Purchasing Guidelines and Procedures §4.1. f. and §6.4. b.

**21. YOUR SUBMISSION IS A PUBLIC DOCUMENT:** Vendor's entire response to the Solicitation and the resulting Contract are public documents. As public documents, they will be disclosed to the public following the bid/proposal opening or award of the contract, as required by the competitive bidding laws of W. Va. Code §§ 5A-3-1 et seq., 5-22-1 et seq., and 5G-1-1 et seq. and the Freedom of Information Act W. Va. Code §§ 29B-1-1 et seq.

**DO NOT SUBMIT MATERIAL YOU CONSIDER TO BE CONFIDENTIAL, A TRADE SECRET(S), OR OTHERWISE NOT SUBJECT TO PUBLIC DISCLOSURE.**

Submission of any bid, proposal, or other document to the Property and Procurement Office constitutes your explicit consent to the subsequent public disclosure of the bid, proposal, or document. The Property and Procurement Office will disclose any document labeled "confidential," "proprietary," "trade secret," "private," or labeled with any other claim against public disclosure of the documents, to include any "trade secrets" as defined by W. Va. Code § 47-22-1 et seq. All submissions are subject to public disclosure without notice.

**22. INTERESTED PARTY DISCLOSURE:** West Virginia Code § 6D-1-2 requires that the vendor submit to the Purchasing Division a disclosure of interested parties to the contract for all contracts with an actual or estimated value of at least \$1 Million. That disclosure must occur on the form prescribed and approved by the WV Ethics Commission prior to contract award. A copy of that form is included with this solicitation or can be obtained from the WV Ethics Commission. This requirement does not apply to publicly traded companies listed on a national or international stock exchange. A more detailed definition of interested parties can be obtained from the form referenced above.

**23. WITH THE BID REQUIREMENTS:** In instances where these specifications require documentation or other information with the bid, and a vendor fails to provide it with the bid, the Director of the Purchasing Division reserves the right to request those items after bid opening and prior to contract award pursuant to the authority to waive minor irregularities in bids or specifications under W. Va. CSR § 148-1-4.6. This authority does not apply to instances where state law mandates receipt with the bid.

## AGENCY TERMS & CONDITIONS

**1. CONTRACTUAL AGREEMENT:** Issuance of an Award Document signed by the Chief Procurement Officer, or his or her designee, and approved as to form by the Attorney General's office constitutes acceptance of this Contract made by and between the State of West Virginia and the Vendor. Vendor's signature on its bid signifies Vendor's agreement to be bound by and accept the terms and conditions contained in this Contract.

**2. DEFINITIONS:** As used in this Solicitation/Contract, the following terms shall have the meanings attributed to them below. Additional definitions may be found in the specifications included with this Solicitation/Contract.

- a. **"Agency"** means the West Virginia Division of Natural Resources.
- b. **"Bid"** or **"Proposal"** means a vendor's submitted response to a solicitation.
- c. **"Contract"** means the binding agreement that is entered into between the State and the Vendor to provide the goods or services requested in the Solicitation.
- d. **"Chief Procurement Officer"** means the Chief Procurement Officer of the West Virginia Division of Natural Resources or anyone that the Chief Procurement Officer has designated to perform a specific task or function.
- e. **"Property and Procurement Office"** means the unit within the West Virginia Division of Natural Resources' Administration Section headed by the Chief Procurement Officer and its personnel.
- f. **"Director of the Purchasing Division"** means the Director of the West Virginia Department of Administration, Purchasing Division.
- g. **"Award Document"** means the document signed by the Agency and the Property and Procurement Office and approved as to form by the Attorney General that identifies the Vendor as the contract holder.
- h. **"Solicitation"** means the official notice of an opportunity to supply the State with goods or services that is published by the Property and Procurement Office.
- i. **"State"** means the State of West Virginia and/or any of its agencies, commissions, boards, etc. as context requires.
- j. **"Vendor"** or **"Vendors"** means any entity submitting a bid in response to the Solicitation, the entity that has been selected as the lowest responsible bidder, or the entity that has been awarded the Contract as context requires.

- k. “Will”, “Shall” and “Must” identifies a mandatory item or requirement that is the duty, obligation, or requirement imposed is mandatory as opposed to being directory or permissive.

**3. CONTRACT TERM; RENEWAL; EXTENSION:** The term of this Contract shall be determined in accordance with the category that has been identified as applicable to this Contract below:

**Term Contract**

**Initial Contract Term:** This Contract becomes effective on \_\_\_\_\_ and extends for a period of \_\_\_\_\_ year(s).

**Renewal Term:** This Contract may be renewed upon the mutual written consent of the Agency, and the Vendor, with approval of the Property and Procurement Office and the Attorney General’s office (Attorney General approval is as to form only). Any request for renewal should be submitted to the Property and Procurement Office thirty (30) days prior to the expiration date of the initial contract term or appropriate renewal term. A Contract renewal shall be in accordance with the terms and conditions of the original contract. Renewal of this Contract is limited to \_\_\_\_\_ successive one (1) year periods or multiple renewal periods of less than one year, provided that the multiple renewal periods do not exceed the total number of month available in all renewal years combined. Automatic renewal of this Contract is prohibited. Notwithstanding the foregoing, Property and Procurement Office approval is not required on Section delegated or exempt purchases. Attorney General approval may be required for vendor terms and conditions.

**Alternate Renewal Term** – This contract may be renewed for \_\_\_\_\_ successive \_\_\_\_\_ year periods or shorter periods provided that they do not exceed the total number of months contained in all available renewals. Automatic renewal of this Contract is prohibited. Renewals must be approved by the Vendor, Agency, Property and Procurement Office and Attorney General’s office (Attorney General approval is as to form only)

**Delivery Order Limitations:** In the event that this contract permits delivery orders, a delivery order may only be issued during the time this Contract is in effect. Any delivery order issued within one year of the expiration of this Contract shall be effective for one (1) year from the date the delivery order is issued. No delivery order may be extended beyond one year after this Contract has expired.

**Fixed Period Contract:** This Contract becomes effective upon Vendor’s receipt of the notice to proceed and must be completed within \_\_\_\_\_ days.

**Fixed Period Contract with Renewals:** This Contract becomes effective upon Vendor’s receipt of the notice to proceed and part of the Contract more fully described in the attached specifications must be completed within \_\_\_\_\_ days. Upon completion of the work covered by the preceding sentence, the vendor agrees that maintenance, monitoring, or warranty services will be provided for \_\_\_\_\_ year(s) thereafter.

**One-Time Purchase:** The term of this Contract shall run from the issuance of the Award Document until all of the goods contracted for have been delivered, but in no event, will this Contract extend for more than one fiscal year.

**Other:** See attached.

**4. NOTICE TO PROCEED:** Vendor shall begin performance of this Contract immediately upon receiving notice to proceed unless otherwise instructed by the Agency. Unless otherwise specified, the fully executed Award Document will be considered notice to proceed.

**5. QUANTITIES:** The quantities required under this Contract shall be determined in accordance with the category that has been identified as applicable to this Contract below.

**Open-End Contract:** Quantities listed in this Solicitation are approximations only, based on estimates supplied by the Agency. It is understood and agreed that the Contract shall cover the quantities actually ordered for delivery during the term of the Contract, whether more or less than the quantities shown.

**Service:** The scope of the service to be provided will be more clearly defined in the specifications included herewith.

**Combined Service and Goods:** The scope of the service and deliverable goods to be provided will be more clearly defined in the specifications included herewith.

**One-Time Purchase:** This Contract is for the purchase of a set quantity of goods that are identified in the specifications included herewith. Once those items have been delivered, no additional goods may be procured under this Contract without an appropriate change order approved by the Vendor, Agency, Property and Procurement Office and Attorney General's office.

**6. EMERGENCY PURCHASES:** The Chief Procurement Officer may authorize the Agency to purchase goods or services in the open market that Vendor would otherwise provide under this Contract if those goods or services are for immediate or expedited delivery in an emergency. Emergencies shall include, but are not limited to, delays in transportation or an unanticipated increase in the volume of work. An emergency purchase in the open market, approved by the Chief Procurement Officer, shall not constitute a breach of this Contract and shall not entitle the Vendor to any form of compensation or damages. This provision does not excuse the State from fulfilling its obligations under a One-Time Purchase contract.

**7. REQUIRED DOCUMENTS:** All of the items checked below must be provided to the Property and Procurement Office by the Vendor as specified below.

**BID BOND (Construction Only):** Pursuant to the requirements contained in W. Va. Code § 5-22-1(c), All Vendors submitting a bid on a construction project shall furnish a valid bid bond in the amount of five percent (5%) of the total amount of the bid protecting the State of West Virginia. The bid bond must be submitted with the bid.

**PERFORMANCE BOND:** The apparent successful Vendor shall provide a performance bond in the amount of 100% of the Contract value. The performance bond must be received by the Property and Procurement Office prior to Contract award.

**LABOR/MATERIAL PAYMENT BOND:** The apparent successful Vendor shall provide a labor/material payment bond in the amount of 100% of the Contract value. The labor/material payment bond must be delivered to the Property and Procurement Office prior to Contract award.

**MAINTENANCE BOND:** The apparent successful Vendor shall provide a two (2) year maintenance bond covering the roofing system. The maintenance bond must be issued and delivered to the Property and Procurement Office prior to Contract award.

**LICENSE(S) / CERTIFICATIONS / PERMITS:** In addition to anything required under the Section entitled Licensing, of the General Terms and Conditions, the apparent successful Vendor shall furnish proof of the following licenses, certifications, and/or permits prior to Contract award, in a form acceptable to the Property and Procurement Office.

The apparent successful Vendor shall also furnish proof of any additional licenses or certifications contained in the specifications prior to Contract award regardless of whether or not that requirement is listed above.

**8. INSURANCE:** The apparent successful Vendor shall furnish proof of the insurance identified by a checkmark below prior to Contract award. Subsequent to contract award, and prior to the insurance expiration date, Vendor shall provide the Agency with proof that the insurance mandated herein has been continued. Vendor must also provide Agency with immediate notice of any changes in its insurance policies mandated herein, including but not limited to, policy cancelation, policy reduction, or change in insurers. The insurance coverages identified below must be maintained throughout the life of this contract. The apparent successful Vendor shall also furnish proof of any additional insurance requirements contained in the specifications prior to Contract award regardless of whether or not that insurance requirement is listed in this section.

Vendor must maintain:

**Commercial General Liability Insurance** in at least an amount of:

\$10,000,000

**Automobile Liability Insurance** in at least an amount of: \$500,000

**Professional/Malpractice/Errors and Omission Insurance** in at least an amount of:

\$10,000,000

**Commercial Crime and Third-Party Fidelity Insurance** in an amount of:

**Cyber Liability Insurance in an amount of:** \_\_\_\_\_

**Builders Risk Insurance** in an amount equal to 100% of the amount of the Contract.

**Other** \_\_\_\_\_

Notwithstanding anything contained in this section to the contrary, the Chief Procurement Officer reserves the right to waive the requirement that the Agency be named as an additional insured on one or more of the Vendor's insurance policies if the Chief Procurement Officer finds that doing so is in the best interest of the Agency.

**9. WORKERS' COMPENSATION INSURANCE:** The apparent successful Vendor shall comply with laws relating to workers' compensation, shall maintain workers' compensation insurance when required, and shall furnish proof of workers' compensation insurance upon request.

**10 LIQUIDATED DAMAGES:** This clause shall in no way be considered exclusive and shall not limit the State or Agency's right to pursue any other available remedy. Vendor shall pay liquidated damages in the amount specified below or as described in the specifications:

\_\_\_\_\_ for \_\_\_\_\_

Liquidated Damages Contained in the Specifications

**11. ACCEPTANCE:** Vendor's signature on its bid, or on the certification and signature page, constitutes an offer to the State that cannot be unilaterally withdrawn, signifies that the product or service proposed by vendor meets the mandatory requirements contained in the Solicitation for that product or service, unless otherwise indicated, and signifies acceptance of the terms and conditions contained in the Solicitation unless otherwise indicated.

**12. PRICING:** The pricing set forth herein is firm for the life of the Contract, unless specified elsewhere within this Solicitation/Contract by the State. A Vendor's inclusion of price adjustment provisions in its bid, without an express authorization from the State in the Solicitation to do so, may result in bid disqualification. Notwithstanding the foregoing, Vendor must extend any publicly advertised sale price to the State and invoice at the lower of the contract price or the publicly advertised sale price.

**13. PAYMENT IN ARREARS:** Payment in advance is prohibited under this Contract. Payment may only be made after the delivery and acceptance of goods or services. The Vendor shall submit invoices, in arrears.

**14. PAYMENT METHODS:** Vendor must accept payment by electronic funds transfer and P-card. (The State of West Virginia's Purchasing Card program, administered under contract by a banking institution, processes payment for goods or through the state designated credit cards.)

**15. TAXES:** The Vendor shall pay any applicable sales, use, personal property or any other taxes arising out of this Contract and the transactions contemplated thereby. The State of West Virginia is exempt from federal and state taxes and will not pay or reimburse such taxes.

**16. ADDITIONAL FEES:** Vendor is not permitted to charge additional fees or assess additional charges that were not either expressly provided for in the solicitation published by the State of West Virginia or included in the unit price or lump sum bid amount that Vendor is required by the



solicitation to provide. Including such fees or charges as notes to the solicitation may result in rejection of vendor's bid. Requesting such fees or charges be paid after the contract has been awarded may result in cancellation of the contract.

**17. FUNDING:** This Contract shall continue for the term stated herein, contingent upon funds being appropriated by the Legislature or otherwise being made available. In the event funds are not appropriated or otherwise made available, this Contract becomes void and of no effect beginning on July 1 of the fiscal year for which funding has not been appropriated or otherwise made available.

**18. CANCELLATION:** The Chief Procurement Officer reserves the right to cancel this Contract immediately upon written notice to the vendor if the materials or workmanship supplied do not conform to the specifications contained in the Contract. The Chief Procurement Office may also cancel any purchase or Contract upon thirty (30) days written notice to the Vendor in accordance with West Virginia Division of Natural Resources Series IV Purchasing Guidelines and Procedures, § 5.2.

**19. TIME:** Time is of the essence with regard to all matters of time and performance in this Contract.

**20. APPLICABLE LAW:** This Contract is governed by and interpreted under West Virginia law without giving effect to its choice of law principles. Any information provided in specification manuals, or any other source, verbal or written, which contradicts or violates the West Virginia Constitution, West Virginia Code or West Virginia Code of State Rules is void and of no effect.

**21. COMPLIANCE WITH LAWS:** Vendor shall comply with all applicable federal, state, and local laws, regulations and ordinances. By submitting a bid, Vendor acknowledges that it has reviewed, understands, and will comply with all applicable laws, regulations, and ordinances.

**SUBCONTRACTOR COMPLIANCE:** Vendor shall notify all subcontractors providing commodities or services related to this Contract that as subcontractors, they too are required to comply with all applicable laws, regulations, and ordinances. Notification under this provision must occur prior to the performance of any work under the contract by the subcontractor.

**22. ARBITRATION:** Any references made to arbitration contained in this Contract, Vendor's bid, or in any American Institute of Architects documents pertaining to this Contract are hereby deleted, void, and of no effect.

**23. MODIFICATIONS:** This writing is the parties' final expression of intent. Notwithstanding anything contained in this Contract to the contrary no modification of this Contract shall be binding without mutual written consent of the Agency, and the Vendor, with approval of the Property and Procurement Office and the Attorney General's office (Attorney General approval is as to form only). Any change to existing contracts that adds work or changes contract cost, and were not included in the original contract, must be approved by the Property and Procurement Office and the Attorney General's Office (as to form) prior to the implementation of the change or commencement of work affected by the change.

**24. WAIVER:** The failure of either party to insist upon a strict performance of any of the terms or provision of this Contract, or to exercise any option, right, or remedy herein contained, shall not be construed as a waiver or a relinquishment for the future of such term, provision, option, right, or



remedy, but the same shall continue in full force and effect. Any waiver must be expressly stated in writing and signed by the waiving party.

**25. SUBSEQUENT FORMS:** The terms and conditions contained in this Contract shall supersede any and all subsequent terms and conditions which may appear on any form documents submitted by Vendor to the Agency such as price lists, order forms, invoices, sales agreements, or maintenance agreements, and includes internet websites or other electronic documents. Acceptance or use of Vendor's forms does not constitute acceptance of the terms and conditions contained thereon.

**26. ASSIGNMENT:** Neither this Contract nor any monies due, or to become due hereunder, may be assigned by the Vendor without the express written consent of the Agency, the Property and Procurement Office, the Attorney General's office (as to form only), and any other government agency or office that may be required to approve such assignments.

**27. WARRANTY:** The Vendor expressly warrants that the goods and/or services covered by this Contract will: (a) conform to the specifications, drawings, samples, or other description furnished or specified by the Agency; (b) be merchantable and fit for the purpose intended; and (c) be free from defect in material and workmanship.

**28. STATE EMPLOYEES:** State employees are not permitted to utilize this Contract for personal use and the Vendor is prohibited from permitting or facilitating the same.

**29. BANKRUPTCY:** In the event the Vendor files for bankruptcy protection, the State of West Virginia may deem this Contract null and void and terminate this Contract without notice.

**30. PRIVACY, SECURITY, AND CONFIDENTIALITY:** The Vendor agrees that it will not disclose to anyone, directly or indirectly, any such personally identifiable information or other confidential information gained from the Agency, unless the individual who is the subject of the information consents to the disclosure in writing or the disclosure is made pursuant to the Agency's policies, procedures, and rules. Vendor further agrees to comply with the Confidentiality Policies and Information Security Accountability Requirements, set forth in <http://www.state.wv.us/admin/purchase/privacy/default.html>.

**31. YOUR SUBMISSION IS A PUBLIC DOCUMENT:** Vendor's entire response to the Solicitation and the resulting Contract are public documents. As public documents, they will be disclosed to the public following the bid/proposal opening or award of the contract, as required by the competitive bidding laws of W. Va. Code §§ 5A-3-1 et seq., 5-22-1 et seq., and 5G-1-1 et seq. and the Freedom of Information Act W. Va. Code §§ 29B-1-1 et seq.

**DO NOT SUBMIT MATERIAL YOU CONSIDER TO BE CONFIDENTIAL, A TRADE SECRET, OR OTHERWISE NOT SUBJECT TO PUBLIC DISCLOSURE.**

Submission of any bid, proposal, or other document to the Property and Procurement Office constitutes your explicit consent to the subsequent public disclosure of the bid, proposal, or document. The Property and Procurement Office will disclose any document labeled "confidential," "proprietary," "trade secret," "private," or labeled with any other claim against public disclosure of the documents, to include any "trade secrets" as defined by W. Va. Code § 47-22-1 et seq. All submissions are subject to public disclosure without notice.

**32. LICENSING:** In accordance with West Virginia Division of Natural Resources Series IV Purchasing Guidelines and Policies, §6.1.d.1., Vendor must be licensed and in good standing in accordance with any and all state and local laws and requirements by any state or local agency of West Virginia, including, but not limited to, the West Virginia Secretary of State's Office, the West Virginia Tax Department, West Virginia Insurance Commission, or any other state agency or political subdivision. Upon request, the Vendor must provide all necessary releases to obtain information to enable the Property and Procurement Office's Chief Procurement Officer or the Agency to verify that the Vendor is licensed and in good standing with the above entities.

**SUBCONTRACTOR COMPLIANCE:** Vendor shall notify all subcontractors providing commodities or services related to this Contract that as subcontractors, they too are required to be licensed, in good standing, and up-to-date on all state and local obligations as described in this section. Obligations related to political subdivisions may include, but are not limited to, business licensing, business and occupation taxes, inspection compliance, permitting, etc. Notification under the provision must occur prior to performance of any work under the contract by the subcontractor.

**33. ANTITRUST:** In submitting a bid to, signing a contract with, or accepting an Award Document from any agency of the State of West Virginia, the Vendor agrees to convey, sell, assign, or transfer to the State of West Virginia all rights, title, and interest in and to all causes of action it may now or hereafter acquire under the antitrust laws of the United States and the State of West Virginia for price fixing and/or unreasonable restraints of trade relating to the particular commodities or services purchased or acquired by the State of West Virginia. Such assignment shall be made and become effective at the time the purchasing agency tenders the initial payment to Vendor.

**34. VENDOR CERTIFICATIONS:** By signing its bid or entering into this Contract, Vendor certifies (1) that its bid or offer was made without prior understanding, agreement, or connection with any corporation, firm, limited liability company, partnership, person or entity submitting a bid or offer for the same material, supplies, equipment or services; (2) that its bid or offer is in all respects fair and without collusion or fraud; (3) that this Contract is accepted or entered into without any prior understanding, agreement, or connection to any other entity that could be considered a violation of law; and (4) that it has reviewed this Solicitation in its entirety; understands the requirements, terms and conditions, and other information contained herein.

Vendor's signature on its bid or offer also affirms that neither it nor its representatives have any interest, nor shall acquire any interest, direct or indirect, which would compromise the performance of its services hereunder. Any such interests shall be promptly presented in detail to the Agency. The individual signing this bid or offer on behalf of Vendor certifies that he or she is authorized by the Vendor to execute this bid or offer or any documents related thereto on Vendor's behalf; that he or she is authorized to bind the Vendor in a contractual relationship; and that, to the best of his or her knowledge, the Vendor has properly registered with any State agency that may require registration.

**35. VENDOR RELATIONSHIP:** The relationship of the Vendor to the State shall be that of an independent contractor and no principal-agent relationship or employer-employee relationship is contemplated or created by this Contract. The Vendor as an independent contractor is solely liable for the acts and omissions of its employees and agents. Vendor shall be responsible for selecting, supervising, and compensating any and all individuals employed pursuant to the terms of this Solicitation and resulting contract. Neither the Vendor, nor any employees or subcontractors of the

Vendor, shall be deemed to be employees of the State for any purpose whatsoever. Vendor shall be exclusively responsible for payment of employees and contractors for all wages and salaries, taxes, withholding payments, penalties, fees, fringe benefits, professional liability insurance premiums, contributions to insurance and pension, or other deferred compensation plans, including but not limited to, Workers' Compensation and Social Security obligations, licensing fees, etc. and the filing of all necessary documents, forms, and returns pertinent to all of the foregoing.

Vendor shall hold harmless the State and shall provide the State and Agency with a defense against any and all claims including, but not limited to, the foregoing payments, withholdings, contributions, taxes, Social Security taxes, and employer income tax returns.

**36. INDEMNIFICATION:** The Vendor agrees to indemnify, defend, and hold harmless the State and the Agency, their officers, and employees from and against: (1) Any claims or losses for services rendered by any subcontractor, person, or firm performing or supplying services, materials, or supplies in connection with the performance of the Contract; (2) Any claims or losses resulting to any person or entity injured or damaged by the Vendor, its officers, employees, or subcontractors by the publication, translation, reproduction, delivery, performance, use, or disposition of any data used under the Contract in a manner not authorized by the Contract, or by Federal or State statutes or regulations; and (3) Any failure of the Vendor, its officers, employees, or subcontractors to observe State and Federal laws including, but not limited to, labor and wage and hour laws.

**37. PURCHASING AFFIDAVIT:** In accordance with West Virginia Code §5A-3-10a and 5-22-1(i), the State is prohibited from awarding a contract to any bidder that owes a debt to the State or to a political subdivision of the State. Vendors are required to sign, notarize, and submit the Purchasing Affidavit to the Agency affirming under oath that it is not in default on any monetary obligation owed to the State or a political subdivision of the State.

**38. ADDITIONAL AGENCY AND LOCAL GOVERNMENT USE:** This Contract may be utilized by other agencies, spending units, and political subdivisions of the State of West Virginia; county, municipal, and other local government bodies; and school districts ("Other Government Entities"). Any extension of this Contract to the aforementioned, Other Government Entities must be on the same prices, terms, and conditions as those offered and agreed to in this Contract, provided that such extension is in compliance with the applicable laws, rules, and ordinances of the Other Government Entity. If the Vendor does not wish to extend the prices, terms, and conditions of its bid and subsequent contract to the Other Government Entities, the Vendor must clearly indicate such refusal in its bid. A refusal to extend this Contract to the Other Government Entities shall not impact or influence the award of this Contract in any manner.

**39. CONFLICT OF INTEREST:** Vendor, its officers or members or employees, shall not presently have or acquire an interest, direct or indirect, which would conflict with or compromise the performance of its obligations hereunder. Vendor shall periodically inquire of its officers, members, and employees to ensure that a conflict of interest does not arise. Any conflict of interest discovered shall be promptly presented in detail to the Agency.

**40. REPORTS:** Vendor shall provide the Agency with the following reports identified by a checked box below:

- Such reports as the Agency may request. Requested reports may include, but are not limited to, quantities purchased, agencies utilizing the contract, total contract expenditures by agency, etc.

[ ] Quarterly reports detailing the total quantity of purchases in units and dollars, along with a listing of purchases by agency.

**41. PREFERENCE FOR USE OF DOMESTIC STEEL PRODUCTS:** Except when authorized by the Director of the Purchasing Division pursuant to W. Va. Code § 5A-3-56, no contractor may use or supply steel products for a State Contract Project other than those steel products made in the United States. A contractor who uses steel products in violation of this section may be subject to civil penalties pursuant to W. Va. Code § 5A-3-56. As used in this section:

a. "State Contract Project" means any erection or construction of, or any addition to, alteration of or other improvement to any building or structure, including, but not limited to, roads or highways, or the installation of any heating or cooling or ventilating plants or other equipment, or the supply of and materials for such projects, pursuant to a contract with the State of West Virginia for which bids were solicited on or after June 6, 2001.

b. "Steel Products" means products rolled, formed, shaped, drawn, extruded, forged, cast, fabricated or otherwise similarly processed, or processed by a combination of two or more or such operations, from steel made by the open hearth, basic oxygen, electric furnace, Bessemer or other steel making process. The Purchasing Division Director may, in writing, authorize the use of foreign steel products if:

c. The cost for each contract item used does not exceed one tenth of one percent (.1%) of the total contract cost or two thousand five hundred dollars (\$2,500.00), whichever is greater. For the purposes of this section, the cost is the value of the steel product as delivered to the project; or

d. The Director of the Purchasing Division determines that specified steel materials are not produced in the United States in sufficient quantity or otherwise are not reasonably available to meet contract requirements.

**42. PREFERENCE FOR USE OF DOMESTIC ALUMINUM, GLASS, AND STEEL:** In accordance with W. Va. Code § 5-19-1 et seq., and W. Va. CSR § 148-10-1 et seq., for every contract or subcontract, subject to the limitations contained herein, for the construction, reconstruction, alteration, repair, improvement or maintenance of public works or for the purchase of any item of machinery or equipment to be used at sites of public works, only domestic aluminum, glass or steel products shall be supplied unless the spending officer determines, in writing, after the receipt of offers or bids, (1) that the cost of domestic aluminum, glass or steel products is unreasonable or inconsistent with the public interest of the State of West Virginia, (2) that domestic aluminum, glass or steel products are not produced in sufficient quantities to meet the contract requirements, or (3) the available domestic aluminum, glass, or steel do not meet the contract specifications. This provision only applies to public works contracts awarded in amount more than fifty thousand dollars (\$50,000) or public works contracts that require more than ten thousand pounds of steel products.

The cost of domestic aluminum, glass, or steel products may be unreasonable if the cost is more than twenty percent (20%) of the bid or offered price for foreign made aluminum, glass, or steel products. If the domestic aluminum, glass or steel products to be supplied or produced in a "substantial labor surplus area", as defined by the United States Department of Labor, the cost of domestic aluminum, glass, or steel products may be unreasonable if the cost is more than thirty percent (30%) of the bid or offered price for foreign made aluminum, glass, or steel products.

This preference shall be applied to an item of machinery or equipment, as indicated above, when the item is a single unit of equipment or machinery manufactured primarily of aluminum, glass or

steel, is part of a public works contract and has the sole purpose or of being a permanent part of a single public works project. This provision does not apply to equipment or machinery purchased by a spending unit for use by that spending unit and not as part of a single public works project.

All bids and offers including domestic aluminum, glass or steel products that exceed bid or offer prices including foreign aluminum, glass or steel products after application of the preferences provided in this provision may be reduced to a price equal to or lower than the lowest bid or offer price for foreign aluminum, glass or steel products plus the applicable preference. If the reduced bid or offer prices are made in writing and supersede the prior bid or offer prices, all bids or offers, including the reduced bid, or offer prices, will be reevaluated in accordance with this rule.

**43. INTERESTED PARTY SUPPLEMENTAL DISCLOSURE:** W. Va. Code § 6D-1-2 requires that for contracts with an actual or estimated value of at least \$1 million, the vendor must submit to the Agency a supplemental disclosure of interested parties reflecting any new or differing interested parties to the contract, which were not included in the original preaward interested party disclosure, within 30 days following the completion or termination of the contract. A copy of that form is included with this solicitation or can be obtained from the WV Ethics Commission. This requirement does not apply to publicly traded companies listed on a national or international stock exchange. A more detailed definition of interested parties can be obtained from the form referenced above.

**DESIGNATED CONTACT:** Vendor appoints the individual identified in this Section as the Contract Administrator and the initial point of contact for matters relating to this Contract.

Faivre Jean-Louis, CEO

(Name, Title)

Faivre Jean-Louis, CEO

(Printed Name and Title)

7 rue de l'Industrie, 25110 Baume-Les-Dames France

(Address)

+336 74 78 77 82

(Phone Number) / (Fax Number)

jeanlouis@faivre.fr

(email address)

**CERTIFICATION AND SIGNATURE:** By signing below, or submitting documentation through wvOASIS, I certify that I have reviewed this Solicitation in its entirety; that I understand the requirements, terms and conditions, and other information contained herein; that this bid, offer or proposal constitutes an offer to the State that cannot be unilaterally withdrawn; that the product or service proposed meets the mandatory requirements contained in the Solicitation for that product or service, unless otherwise stated herein; that the Vendor accepts the terms and conditions contained in the Solicitation, unless otherwise stated herein; that I am submitting this bid, offer or proposal for review and consideration; that I am authorized by the vendor to execute and submit this bid, offer, or proposal, or any documents related thereto on vendor's behalf; that I am authorized to bind the vendor in a contractual relationship; and that to the best of my knowledge, the vendor has properly registered with any State agency that may require registration.

Faivre Sasu

(Company)

Faivre Jean-Louis, CEO

(Authorized Signature) (Representative Name, Title)

Faivre Jean-Louis, CEO

(Printed Name and Title of Authorized Representative)

21-02-2020

(Date)

+336 74 78 77 82

(Phone Number) (Fax Number)

## REQUEST FOR QUOTATION

### Fish Grading, Counting and Pumping System for Bowden Hatchery

---

#### SPECIFICATIONS

1. **PURPOSE AND SCOPE:** The West Virginia Division of Natural Resources is soliciting bids to establish a contract for the one-time purchase of a mobile fish grading, counting and pumping system for Bowden Hatchery in Elkins WV.
2. **DEFINITIONS:** The terms listed below shall have the meanings assigned to them below. Additional definitions can be found in section 2 of the General Terms and Conditions.
  - 2.1 **“Contract Item”** means a mobile fish grading and counting system as more fully described by these specifications.
  - 2.2 **“Pricing Page”** means the pages attached as Exhibit A, upon which Vendor should list its proposed price for the Contract Items.
  - 2.3 **“Solicitation”** means the official notice of an opportunity to supply the State with goods or services that is published by the West Virginia Division of Natural Resources.
3. **GENERAL REQUIREMENTS:**
  - 3.1 **Mandatory Contract Item Requirements:** Contract Item must meet or exceed the mandatory requirements listed below.
    - 3.1.1 **Fish Grader**
      - 3.1.1.1 Fish grader must be constructed from corrosion resistant aluminum or stainless steel.
      - 3.1.1.2 Must have the ability to sort fish from the size of 1.0 gram to 100 grams. Ability to sort smaller than 1.0 gram and/or larger than 100 grams is acceptable.
      - 3.1.1.3 Must have a minimum of three (3) sorting sizes.
      - 3.1.1.4 Hourly grading capacity per hour must be one (1) ton minimum.
      - 3.1.1.5 Must have a minimum of two (2) grading speeds or a variable speed dial range.



## REQUEST FOR QUOTATION

### Fish Grading, Counting and Pumping System for Bowden Hatchery

---

**3.1.1.6** Must be a mobile unit and operate on 120V 60hz electrical power with a minimum 20-foot, grounded power cord.

#### **3.1.2 Fish Counting System**

**3.1.2.1** Fish Counting System must be constructed from corrosion resistant aluminum or stainless steel.

**3.1.2.2** Must be fully compatible with Fish Grader (*Item 3.1.1*).

**3.1.2.3** Must have the same amount of separate fish counters to accommodate all sorting sizes (*Item # 3.1.1.3*) produced by Fish Grader.

**3.1.2.4** Fish counters must have the ability to count fish from the size of 1.0 gram to 100 grams. Ability to count smaller than 1.0 gram and/or larger than 100 grams is acceptable.

**3.1.2.5** Fish counter must have a minimum of three (3) counting channels.

**3.1.2.6** Must include three (3) flexible translucent pipes a minimum of ten (10) yards in length. Pipes must be smooth inside with cam lock ends compatible with fish grader (*Item 3.1.1*) connections.

**3.1.2.7** Must be a mobile unit and operate on 120V 60hz electrical power with a minimum 20-foot, grounded power cord.

#### **3.1.3 Fish Pumping System**

**3.1.3.1** Fish Pumping System must be constructed from corrosion resistant aluminum or stainless steel.

**3.1.3.2** Must be fully compatible with Fish Grader (*Item 3.1.1*) and Fish Counter (*Item 3.1.2*).

**3.1.3.3** Must have direct drive system without belt and maintenance free.

**3.1.3.4** Must have a minimum of six (6) inch inlet and outlet.

**3.1.3.5** Must be capable of pumping up to ten (10) tons of fish per hour.



## REQUEST FOR QUOTATION

### Fish Grading, Counting and Pumping System for Bowden Hatchery

---

**3.1.3.6** Must have the ability to pump fish from the size of 1.0 gram to 100 grams. Ability to pump smaller than 1.0 gram and/or larger than 100 grams is acceptable.

**3.1.3.7** Must include minimum of two (2) flexible translucent pipes a minimum of ten (10) yards in length. Pipes must be smooth inside with cam lock ends compatible with fish grader (*Item 3.1.1*) and fish counter (*Item 3.1.2*) connections.

**3.1.3.8** Must be a mobile unit and operate on 120V 60hz electrical power with a minimum 20-foot, grounded power cord.

#### 4. CONTRACT AWARD:

**4.1 Contract Award:** The Contract is intended to provide the West Virginia Division of Natural Resources with a purchase price for the Contract Item. The Contract shall be awarded to the Vendor that provides the Contract Item meeting the required specifications for the lowest overall total cost as shown on the Pricing Page.

**4.2 Pricing Page:** Vendor should complete the Pricing Page completing the unit cost and extended cost columns. Vendor should complete the Pricing Page in full as failure to complete the Pricing Page in its entirety may result in Vendor's bid being disqualified.

Vendor should type or electronically enter the information into the Pricing Page to prevent errors in the evaluation.

#### 5. PAYMENT:

**5.1 Payment:** Vendor shall accept payment in accordance with the payment procedures of the State of West Virginia.

#### 6. DELIVERY AND RETURN:

**6.1 Shipment and Delivery:** Vendor shall deliver the Contract Item within 120 calendar days after receiving a purchase order. Contract Items must be delivered to Bowden Hatchery, 86 Fish Hatchery Lane, Elkins WV 2624. See pricing page for more detailed directions with contact information.

**6.2 Late Delivery:** The Agency placing the order under this Contract must be notified in writing if the shipment of the Contract Items will be delayed for any reason. Any delay in

## REQUEST FOR QUOTATION

### Fish Grading, Counting and Pumping System for Bowden Hatchery

---

delivery that could cause harm to an Agency will be grounds for cancellation of the Contract, and/or obtaining the Contract Items from a third party.

Any Section seeking to obtain the Contract Items from a third party under this provision must first obtain approval of the West Virginia Division of Natural Resources' Chief Procurement Officer.

**6.3 Delivery Payment/Risk of Loss:** Vendor shall deliver the Contract Items F.O.B. destination to the Agency's location.

**6.4 Return of Unacceptable Items:** If the Agency deems the Contract Items to be unacceptable, the Contract Items shall be returned to Vendor at Vendor's expense and with no restocking charge. Vendor shall either make arrangements for the return within five (5) days of being notified that items are unacceptable or permit the Agency to arrange for the return and reimburse Agency for delivery expenses. If the original packaging cannot be utilized for the return, Vendor will supply the Agency with appropriate return packaging upon request. All returns of unacceptable items shall be F.O.B. the Agency's location. The returned product shall either be replaced, or the Agency shall receive a full credit or refund for the purchase price, at the Agency's discretion.

**6.5 Return Due to Agency Error:** Items ordered in error by the Agency will be returned for credit within thirty (30) days of receipt, F.O.B. Vendor's location. Vendor shall not charge a restocking fee if returned products are in a resalable condition. Items shall be deemed to be in a resalable condition if they are unused and in the original packaging. Any restocking fee for items not in a resalable condition shall be the lower of the Vendor's customary restocking fee or 5% of the total invoiced value of the returned items.

## 7. **VENDOR DEFAULT:**

**7.1** The following shall be considered a vendor default under this Contract.

**7.1.1** Failure to provide Contract Items in accordance with the requirements contained herein.

**7.1.2** Failure to comply with other specifications and requirements contained herein.

**7.1.3** Failure to comply with any laws, rules, and ordinances applicable to the Contract Services provided under this Contract.

**7.1.4** Failure to remedy deficient performance upon request.

REQUEST FOR QUOTATION  
**Fish Grading, Counting and Pumping System for Bowden Hatchery**

---

**7.2** The following remedies shall be available to Agency upon default.

**7.2.1** Immediate cancellation of the Contract.

**7.2.2** Immediate cancellation of one or more release orders issued under this Contract.

**7.2.3** Any other remedies available in law or equity.

ADDENDUM ACKNOWLEDGEMENT FORM  
SOLICITATION NO.:

Instructions: Please acknowledge receipt of all addenda issued with this solicitation by completing this addendum acknowledgment form. Check the box next to each addendum received and sign below. Failure to acknowledge addenda may result in bid disqualification.

Acknowledgment: I hereby acknowledge receipt of the following addenda and have made the necessary revisions to my proposal, plans and/or specification, etc.

Addendum Numbers Received:

*(Check the box next to each addendum received)*

<input checked="" type="checkbox"/>	Addendum No. 1	<input type="checkbox"/>	Addendum No. 6
<input type="checkbox"/>	Addendum No. 2	<input type="checkbox"/>	Addendum No. 7
<input type="checkbox"/>	Addendum No. 3	<input type="checkbox"/>	Addendum No. 8
<input type="checkbox"/>	Addendum No. 4	<input type="checkbox"/>	Addendum No. 9
<input type="checkbox"/>	Addendum No. 5	<input type="checkbox"/>	Addendum No. 10

I understand that failure to confirm the receipt of addenda may be cause for rejection of this bid. I further understand that any verbal representation made or assumed to be made during any oral discussion held between Vendor's representatives and any state personnel is not binding. Only the information issued in writing and added to the specifications by an official addendum is binding.

Faivre Sasu

Company

Faivre Jean-Louis, CEO

Authorized Signature



21-02-2020

Date

NOTE: This addendum acknowledgment should be submitted with the bid to expedite document processing.

## EXHIBIT A – PRICING PAGE

West Virginia Division of Natural Resources – Wildlife Resources Section

### Bowden Hatchery Fish Grading, Counting, & Pumping System

Item No.	Description	Quantity	Unit Price	Extended Price
3.1	Fish Grading, Counting, & Pumping System (Including shipping/delivery)	1	\$ 93,682.62	\$ 93,682.62
<b>TOTAL LUMP SUM BID:</b>				\$ 93,682.62



02-21-2020

Authorized Signature/Date

Total Lump Sum Bid must include delivery to hatchery location:

Bowden State Fish Hatchery  
Old Rte. 33  
Bowden, W.V. 26241

Directions to Hatchery: From Harman, W.V. – take 22 West. Once off of mountain you will pass the Bowden Post Office on your right. Take the next road on right, it is marked “Bowden Fish Hatchery”. Road is before you get to the four lane. Hatchery is on left approximately 1 mile.

LAT: 38.910856; LONG: -79.715334

Bowden State Fish Hatchery Contact:

Frank Williams, Hatchery Manager  
[Frank.E.Williams@wv.gov](mailto:Frank.E.Williams@wv.gov)  
(304) 637-0238

STATE OF WEST VIRGINIA  
Purchasing Division

# PURCHASING AFFIDAVIT

**CONSTRUCTION CONTRACTS:** Under W. Va. Code § 5-22-1(i), the contracting public entity shall not award a construction contract to any bidder that is known to be in default on any monetary obligation owed to the state or a political subdivision of the state, including, but not limited to, obligations related to payroll taxes, property taxes, sales and use taxes, fire service fees, or other fines or fees.

**ALL CONTRACTS:** Under W. Va. Code §5A-3-10a, no contract or renewal of any contract may be awarded by the state or any of its political subdivisions to any vendor or prospective vendor when the vendor or prospective vendor or a related party to the vendor or prospective vendor is a debtor and: (1) the debt owed is an amount greater than one thousand dollars in the aggregate; or (2) the debtor is in employer default.

**EXCEPTION:** The prohibition listed above does not apply where a vendor has contested any tax administered pursuant to chapter eleven of the W. Va. Code, workers' compensation premium, permit fee or environmental fee or assessment and the matter has not become final or where the vendor has entered into a payment plan or agreement and the vendor is not in default of any of the provisions of such plan or agreement.

**DEFINITIONS:**

**"Debt"** means any assessment, premium, penalty, fine, tax or other amount of money owed to the state or any of its political subdivisions because of a judgment, fine, permit violation, license assessment, defaulted workers' compensation premium, penalty or other assessment presently delinquent or due and required to be paid to the state or any of its political subdivisions, including any interest or additional penalties accrued thereon.

**"Employer default"** means having an outstanding balance or liability to the old fund or to the uninsured employers' fund or being in policy default, as defined in W. Va. Code § 23-2c-2, failure to maintain mandatory workers' compensation coverage, or failure to fully meet its obligations as a workers' compensation self-insured employer. An employer is not in employer default if it has entered into a repayment agreement with the Insurance Commissioner and remains in compliance with the obligations under the repayment agreement.

**"Related party"** means a party, whether an individual, corporation, partnership, association, limited liability company or any other form or business association or other entity whatsoever, related to any vendor by blood, marriage, ownership or contract through which the party has a relationship of ownership or other interest with the vendor so that the party will actually or by effect receive or control a portion of the benefit, profit or other consideration from performance of a vendor contract with the party receiving an amount that meets or exceeds five percent of the total contract amount.

**AFFIRMATION:** By signing this form, the vendor's authorized signer affirms and acknowledges under penalty of law for false swearing (W. Va. Code §61-5-3) that: (1) for construction contracts, the vendor is not in default on any monetary obligation owed to the state or a political subdivision of the state, and (2) for all other contracts, that neither vendor nor any related party owe a debt as defined above and that neither vendor nor any related party are in employer default as defined above, unless the debt or employer default is permitted under the exception above.

**WITNESS THE FOLLOWING SIGNATURE:**

Vendor's Name: Faivre Sasu

Authorized Signature: Faivre Jean-Louis Date: 21-02-2020

State of \_\_\_\_\_

County of France, to-wit:

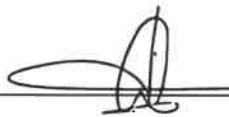
Taken, subscribed, and sworn to before me this 21 day of February, 2020.

My Commission expires 21 of August, 2020.

AFFIX SEAL HERE

**FAIVRE SASU**  
CONSTRUCTION MATÉRIEL PISCICOLE  
7, Rue de l'Industrie  
25110 BAUME LES DAMES - FRANCE  
Tél. 03 81 84 01 32 - Fax 03 81 84 16 15  
web: <http://www.faivre.fr>

NOTARY PUBLIC



Purchasing Affidavit (Revised 01/19/2018)

## QUOTATION

West Virginia Division of Natural Resources  
Property and Procurement Office  
324 4th Avenue  
South Charleston, WV 25303

Client Code	Quotation Nbr.	Date
013565	1D13710	19/02/2020

Delivery address :

BOWDEN STATE FISH HATCHERY  
Old Rte 33  
WV 26241 ELKINS  
USA

Project Nbr. : 006051

Project name: HATCHERY PACK

EEC ident. Nbr :

Page 1 / 8

Reference	Description of the goods	Qty	Unit value	Amount
-----------	--------------------------	-----	------------	--------

**Hatchery Pack for trout from 1g to 100g**  
**All equipment will be plugged into Control Box**  
**functioning on 1-PH 120V 60Hz.**

PH0602



**Fish pump section :**  
**Pescamotion 6" Plus(Ø150 mm)**

Main features :

- For trouts from 1 g to 700 g
- Inlet / Outlet 6"
- 10 tons / hour of pumping capacity on 10g trout
- Water flow rate up to 232 m3/h
- Made of SS 316L
- Compatible with Helios 100 and Pescavision 10
- Hydraulic maximum transfert height (TDH) : 9 meters
- Maximum suction height : 4 meters
- Maximum transfer length : 500 meters
- Light and easy to handle weight < 200 kg
- New high speed priming system.
- "Direct Drive" system without belt and maintenance free.
- Power supply 60Hz: 1x230V.
- Pump motor power : 3kW
- Delivered with 32-foot of grounded power cord  
(Ref. per drawing: PI06)

1,0 22 896,00 -6% 21 522,24

PH06230M

**230V 1-ph 60hz inlet voltage option for Pescamotion 6"**  
**fish pump**

1,0 1 620,00 -6% 1 522,80





# FAIVRE

ÉQUIPEMENTS D'AQUACULTURE  
FISH FARMING EQUIPMENT

Faivre Sasu 7, rue de l'Industrie  
25110 Baume-Les-Dames France  
Tel : +333 81 84 01 32  
Email : info@faivre-aqua.com  
Site web : www.faivre-aqua.com

## QUOTATION

West Virginia Division of Natural Resources  
Property and Procurement Office  
324 4th Avenue  
South Charleston, WV 25303

Client Code	Quotation Nbr.	Date
013565	1D13710	19/02/2020

**Project Nbr. : 006051**

**Project name: HATCHERY PACK**

Delivery address :
<b>BOWDEN STATE FISH HATCHERY</b> Old Rte 33 WV 26241 ELKINS USA

EEC ident. Nbr :

Page 2 / 8

Reference	Description of the goods	Qty	Unit value		Amount
PP0401PR	Reduction pack 6" to 4": 10 yards in total. - 5m flexible pipes 4" with aluminum reductions 6" female to 4" male and 1 suction cone 4" - 5m flexible pipes 4" with aluminum reductions 6" female to 4" male and 1 camlock female	1,0	1 328,40	-6%	1 248,70



**Sous total.....**

**24 293,74**

TH1084



**Fish grader section:**

Automatic fish grader Helios 100 , with 8 grading channels, suitable for trouts from 1g up 100g.  
- 1 ton / hour of grading capacity on 10g trout on average  
- Fresh water application, made of SS AISI 304L.  
- 8 X Ø125mm outlets (4 sizes).  
Motor 0.25KW **120V 1-ph. 60 HZ** , with grading speed controlled by frequency variator.  
Delivered with :  
- 2 telescopic legs and crank  
- 1 m lenght Ø125 mm flexible pipes for each outlet.  
- 32-foot of grounded power cord  
(Ref per drawing : TH18DEW )

1,0 36 918,72 -6%

34 703,60

Bank details / Coordonnées Bancaires Sasu Faivre : BANQUE CIC

International Bank account Number (IBAN) : FR76 3008 7331 8200 0200 9460 164 Bank Identification Code (BIC) : CMCIFRPPXXX





ÉQUIPEMENTS D'AQUACULTURE  
FISH FARMING EQUIPMENT

Faivre Sasu 7, rue de l'Industrie  
25110 Baume-Les-Dames France  
Tel : +333 81 84 01 32  
Email : info@faivre-aqua.com  
Site web : www.faivre-aqua.com

## QUOTATION

West Virginia Division of Natural Resources  
Property and Procurement Office  
324 4th Avenue  
South Charleston, WV 25303

Client Code	Quotation Nbr.	Date
013565	1D13710	19/02/2020

**Project Nbr. : 006051**

**Project name: HATCHERY PACK**

EEC ident. Nbr. :

Page 3 / 8

Delivery address :
BOWDEN STATE FISH HATCHERY Old Rte 33 WV 26241 ELKINS USA

Reference	Description of the goods	Qty	Unit value		Amount
TH00110M	<b>120V 1-ph 60 HZ</b> inlet voltage option for grader Helios	1,0	317,52	-6%	298,47

21510F



PVC piece in "Y" to transform 2 grader's outlet into one to have 3 outlets in total.

1,0

78,84 -6%

74,11

TH108DEW



Inlet hopper for Helios 100 grader with dewatering box system to plug a fish pump.  
- Inlet 6"

1,0

2 622,24 -6%

2 464,91

PH061102



6" female to 4" male aluminum reduction (one unit)  
To plug 4" hose into Inlet Hopper 6"

1,0

275,00 -6%

258,50

Bank details / Coordonnées Bancaires Sasu Faivre : BANQUE CIC  
International Bank account Number (IBAN) : FR76 3008 7331 8200 0200 9460 164 Bank Identification Code (BIC) : CMCIFRPPXXX



# FAIVRE

ÉQUIPEMENTS D'AQUACULTURE  
FISH FARMING EQUIPMENT

Faivre Sasu 7, rue de l'Industrie  
25110 Baume-Les-Dames France  
Tel : +333 81 84 01 32  
Email : info@faivre-aqua.com  
Site web : www.faivre-aqua.com

## QUOTATION

West Virginia Division of Natural Resources  
Property and Procurement Office  
324 4th Avenue  
South Charleston, WV 25303

Client Code	Quotation Nbr.	Date
013565	1D13710	19/02/2020




**Project Nbr. : 006051**

**Project name:** HATCHERY PACK

Delivery address :
BOWDEN STATE FISH HATCHERY Old Rte 33 WV 26241 ELKINS USA

EEC ident. Nbr :

Page 4 / 8

Reference	Description of the goods	Qty	Unit value	Amount
THC007	 <p>Control box <b>1-ph 120V+N+PE 60 HZ</b> inlet voltage for 1 grader, 4 counters, 1 water pumps (max 0,75w) : Full connection installed on the fish grader. This option is very useful when graders are operating with several counters. - Enables connections up to for 4 counters, 2 water pumps, to be centrally located on a single power supply with all the necessary protective electrical devices, so avoiding large numbers of cables trailing around the installation.</p>	1,0	4 212,00 -6%	3 959,28
TPOW30I6M5	 <p>Submersible water pump 30M3/h for fish grader HELIOS 25 - 30 - 100, sea water compatible, 0,75kw, 1X230V/50Hz Supplied with strainer and stainless steel elbow pump output.</p>	1,0	813,24 -6%	764,45
TPOHLINK50	5m flexible pipe 2" with storz coupling and stainless steel 90° elbow.	1,0	265,68 -6%	249,74
GGAP100S4RT	 <p>FLEXIBLE PIPES IN TRANSPARENT PVC , Ø 100 MM, PRICE ARE GIVEN PER METER</p>	5,0	23,76 -6%	111,67

Bank details / Coordonnées Bancaires Sasu Faivre : BANQUE CIC

International Bank account Number (IBAN) : FR76 3008 7331 8200 0200 9460 164 Bank Identification Code (BIC) : GCMCIFRPXXX



# FAIVRE

ÉQUIPEMENTS D'AQUACULTURE  
FISH FARMING EQUIPMENT

Faivre Sasu 7, rue de l'Industrie  
25110 Baume-Les-Dames France  
Tel : +333 81 84 01 32  
Email : info@faivre-aqua.com  
Site web : www.faivre-aqua.com

## QUOTATION

West Virginia Division of Natural Resources  
Property and Procurement Office  
324 4th Avenue  
South Charleston, WV 25303

Client Code	Quotation Nbr.	Date
013565	1D13710	19/02/2020

Project Nbr. : 006051

Project name: HATCHERY PACK

Delivery address :
BOWDEN STATE FISH HATCHERY Old Rte 33 WV 26241 ELKINS USA

EEC ident. Nbr :

Page 5 / 8

Reference	Description of the goods	Qty	Unit value	Amount
-----------	--------------------------	-----	------------	--------

**Sous total.....** 42 884,73

PESCA10



**Fish counter section**

**Pescavision 10 fish counter,**

For trout / salmon from 3g up to 150g.

Made of marine grade aluminum.

Compatible with Helios 100

Delivered with : power supply inlet 120V 1-ph 60hz,  
outlet 24V DC, 1 set of separators, 2 aluminum legs  
1,2m lenght.

- Delivered with 32-foot of grounded power cord  
Inlet Ø125mm, weight 24kg.

(As per drawing ref. PESCA10)

3,0 6 264,00 -6% 17 664,48

D50012730KPOU



3 x 10 meters (= 3 x 11 yard)

Flexible translucent reinforced pipe Ø125

30,0 31,32 -6% 883,22

CBRC200



Reception tank with stainless steel legs for Pescavision  
10. Outlet Ø200mm. Made of polyester  
(As per drawing ref. CBRC200)

3,0 398,52 -6% 1 123,83

Bank details / Coordonnées Bancaires Sasu Faivre : BANQUE CIC  
International Bank account Number (IBAN) : FR76 3008 7331 8200 0200 9460 164 Bank Identification Code (BIC) : CMCIFRPPXXX



# FAIVRE

ÉQUIPEMENTS D'AQUACULTURE  
FISH FARMING EQUIPMENT

Faivre Sasu 7, rue de l'Industrie  
25110 Baume-Les-Dames France  
Tel : +333 81 84 01 32  
Email : info@faivre-aqua.com  
Site web : www.faivre-aqua.com

## QUOTATION

West Virginia Division of Natural Resources  
Property and Procurement Office  
324 4th Avenue  
South Charleston, WV 25303

Client Code	Quotation Nbr.	Date
013565	1D13710	19/02/2020

**Project Nbr. : 006051**

**Project name: HATCHERY PACK**

Delivery address :
BOWDEN STATE FISH HATCHERY Old Rte 33 WV 26241 ELKINS USA

EEC ident. Nbr :

Page 6 / 8

Reference	Description of the goods	Qty	Unit value		Amount
TH000522V	PVC male adapter Ø125mm lenght 160mm to connect Pescavision 10 into grader Helios 100	3,0	17,11	-6%	48,26

**Sous total.....**

**19 719,79**

**Packing :**

1,0

0,00

0,00

PESCAM6PA1



ISMP15 treated pallet, dim 185x105 cm for Pescamotion  
6 fish pump

1,0

138,24

138,24

Bank details / Coordonnées Bancaires Sasu Faivre : BANQUE CIC

International Bank account Number (IBAN) : FR76 3008 7331 8200 0200 9460 164 Bank Identification Code (BIC) : CMCIFRPPXXX



# FAIVRE

ÉQUIPEMENTS D'AQUACULTURE  
FISH FARMING EQUIPMENT

Faivre Sasu 7, rue de l'Industrie  
25110 Baume-Les-Dames France  
Tel : +333 81 84 01 32  
Email : info@faivre-aqua.com  
Site web : www.faivre-aqua.com

## QUOTATION

West Virginia Division of Natural Resources  
Property and Procurement Office  
324 4th Avenue  
South Charleston, WV 25303

Client Code	Quotation Nbr.	Date
013565	1D13710	19/02/2020




**Project Nbr. : 006051**

**Project name: HATCHERY PACK**

Delivery address :
BOWDEN STATE FISH HATCHERY Old Rte 33 WV 26241 ELKINS USA

EEC ident. Nbr :

Page 7 / 8

Reference	Description of the goods	Qty	Unit value	Amount
PANPTH18	ISMP15 treated pallet, dim 360x165cm for grader Helios 100	1,0	268,92	268,92
				
PESCAVPA4	Box board on wooden pallet for 4 fish counters & 4 reception tanks dimensions : leng. 155cm, wid. 130cm, height 113cm	1,0	259,20	259,20
				
TRANSPORT-	Freight cost from o/ factory up to WV 26241, USA (sea freight) DAP ELKINS, USA (Incoterms® ICC 2020) (Possible detention fees at destination at the consignee's expenses)	1,0	6 118,00	6 118,00
				

Bank details / Coordonnées Bancaires Sasu Faivre : BANQUE CIC

International Bank account Number (IBAN) : FR76 3008 7331 8200 0200 9460 164 Bank Identification Code (BIC) : CMCIFRPPXXX



ÉQUIPEMENTS D'AQUACULTURE  
FISH FARMING EQUIPMENT

Faivre Sasu 7, rue de l'Industrie  
25110 Baume-Les-Dames France  
Tel : +333 81 84 01 32  
Email : info@faivre-aqua.com  
Site web : www.faivre-aqua.com

## QUOTATION

West Virginia Division of Natural Resources  
Property and Procurement Office  
324 4th Avenue  
South Charleston, WV 25303

Client Code	Quotation Nbr.	Date
013565	1D13710	19/02/2020

**Project Nbr. : 006051**

**Project name: HATCHERY PACK**

Delivery address :
BOWDEN STATE FISH HATCHERY Old Rte 33 WV 26241 ELKINS USA

EEC ident. Nbr :

Page 8 / 8

Reference	Description of the goods	Qty	Unit value	Amount	
				<b>Devis</b>	<b>Total Amount</b>
				USD	93 682,62

*Le transfert de propriété du matériel  
vendu n'interviendra qu'après le paiement intégral du prix convenu.*

Payment terms : 30% at order by wire transfer balance one week prior to shipment

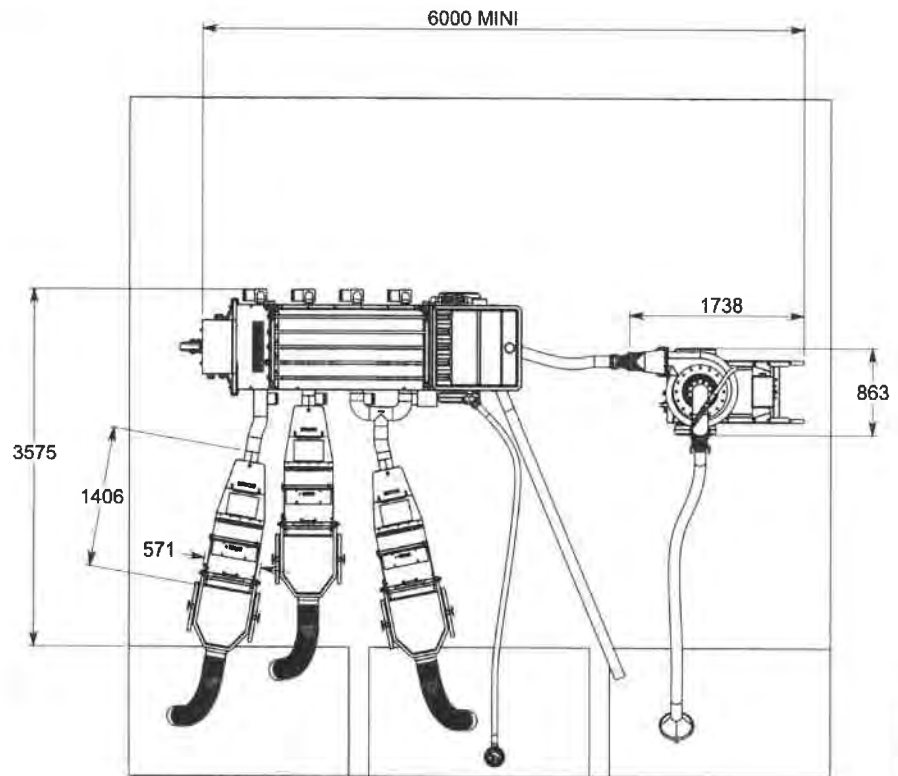
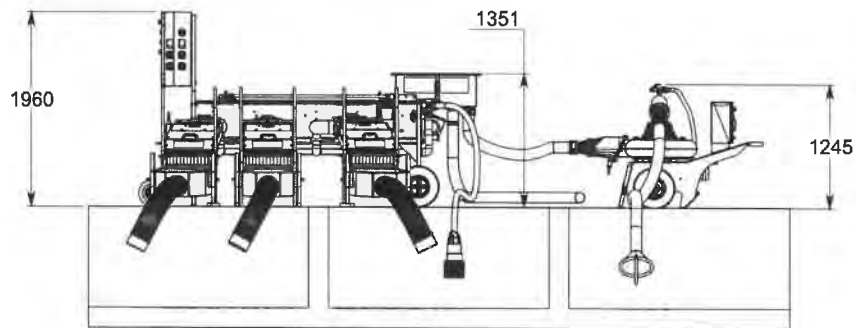
Price validity : 3 Mois/Months

Indicative manufacturing time <sup>1</sup>: 8 to 10 working weeks at order date

<sup>1</sup> Except transit time and annual leaves (Weeks 52/01 for Christmas time - Weeks 31/32/33 during august)  
May vary according to input orders.

**The customer acknowledges that he/she has read the general terms of sale on the back of this document,  
in particular the retention of title clause, and declares that he/she accepts them.**

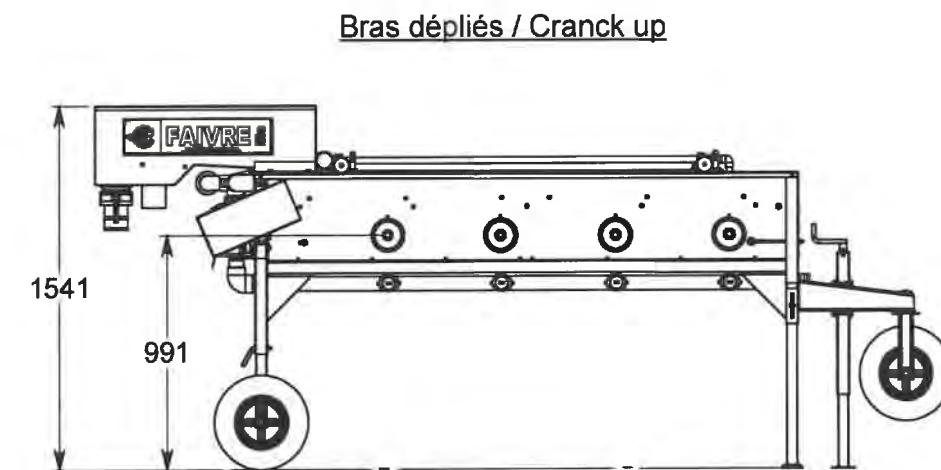
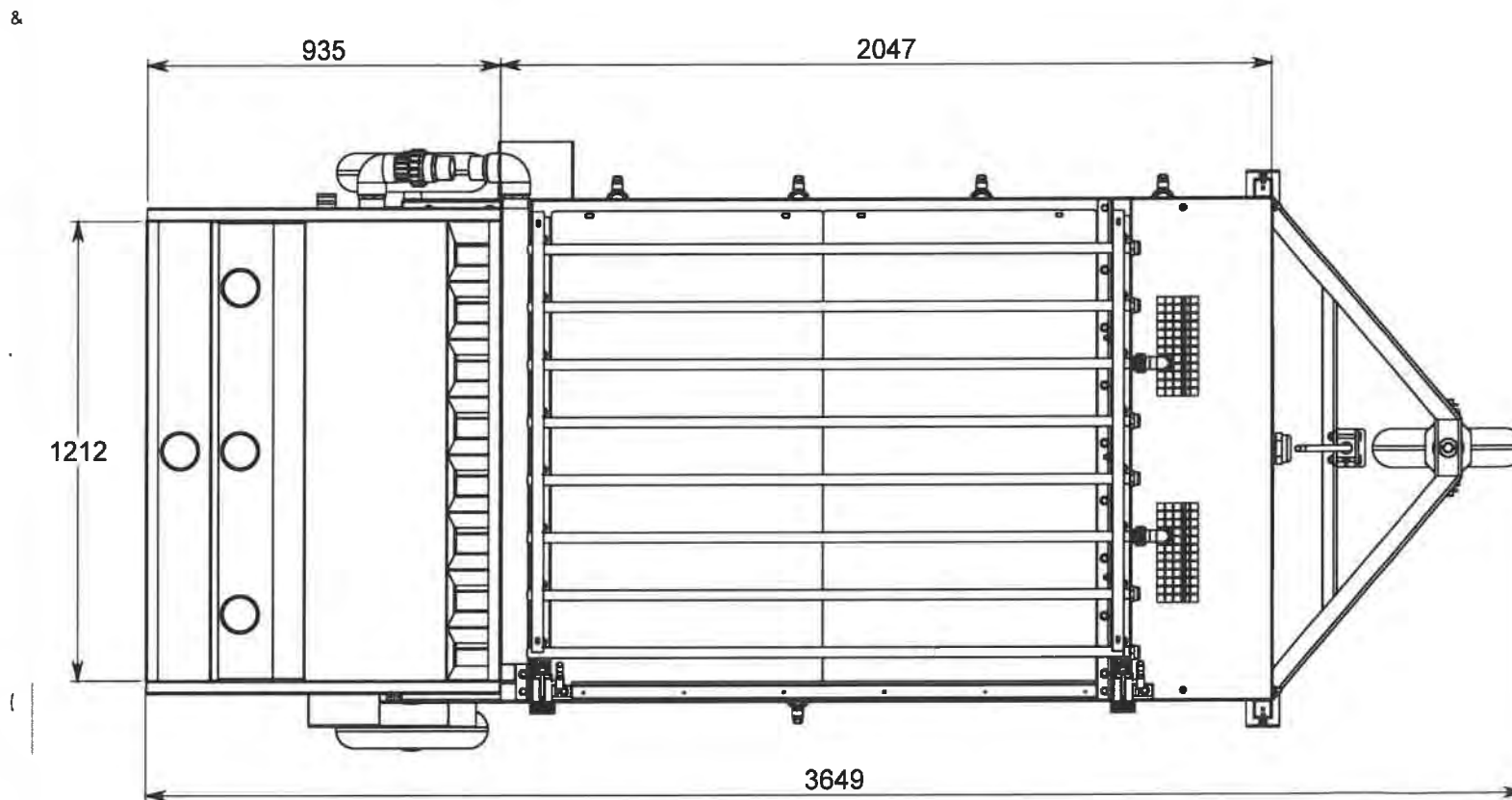
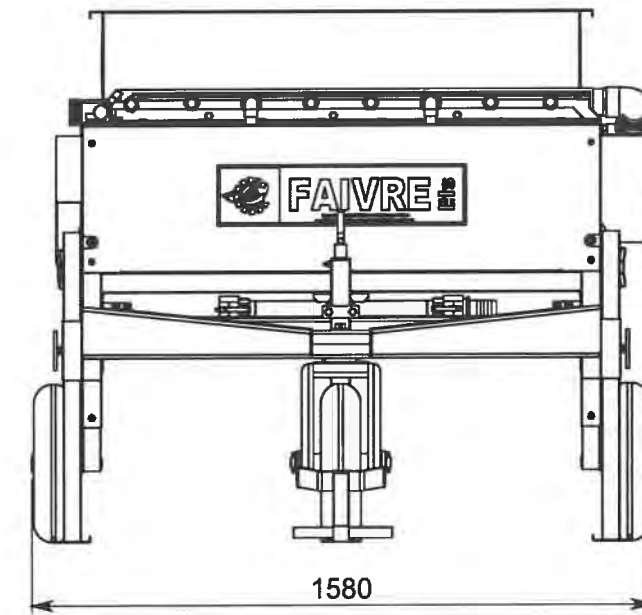
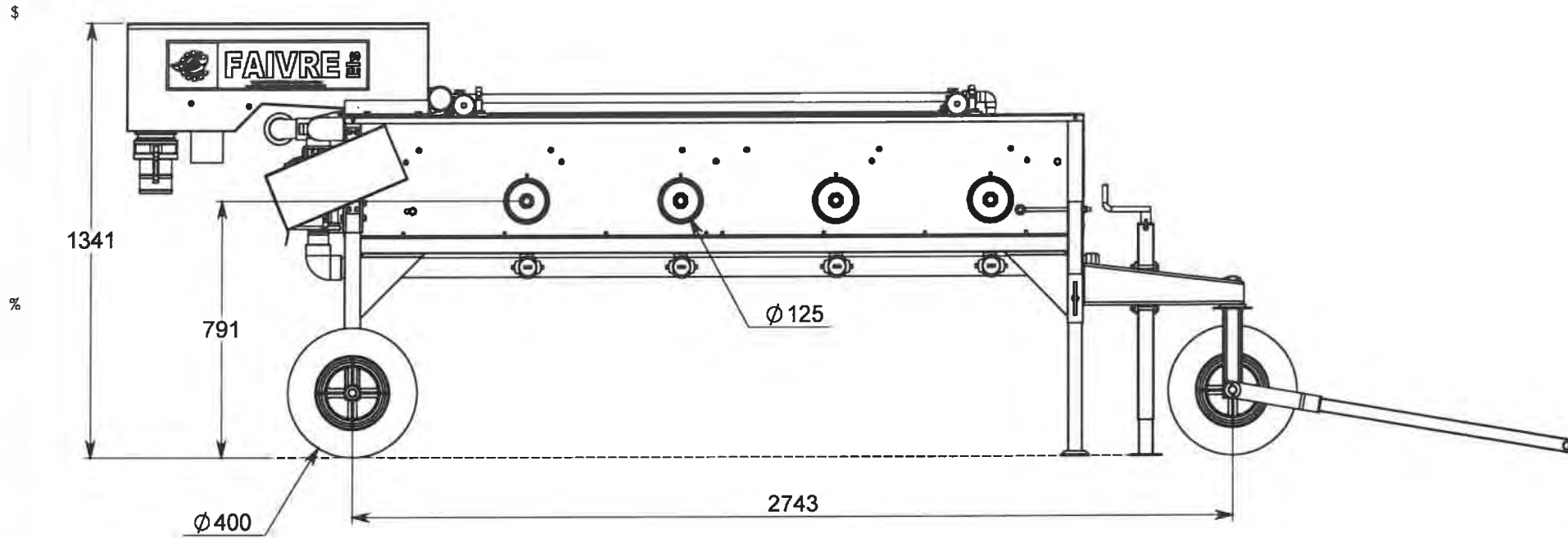




Machine	Power consumption
Fish grader Helios 100	0,37 kW
Pescamotion 6+ pump	4 kW
Fish counter	0,05 kW
Water pump	0,75 kW

Machine	Consommation électrique
Trieur Helios 100	0,37 kW
Pompe Pescamotion 6+	4 kW
Compteur à poisson	0,05 kW
Pompe à eau	0,75 kW

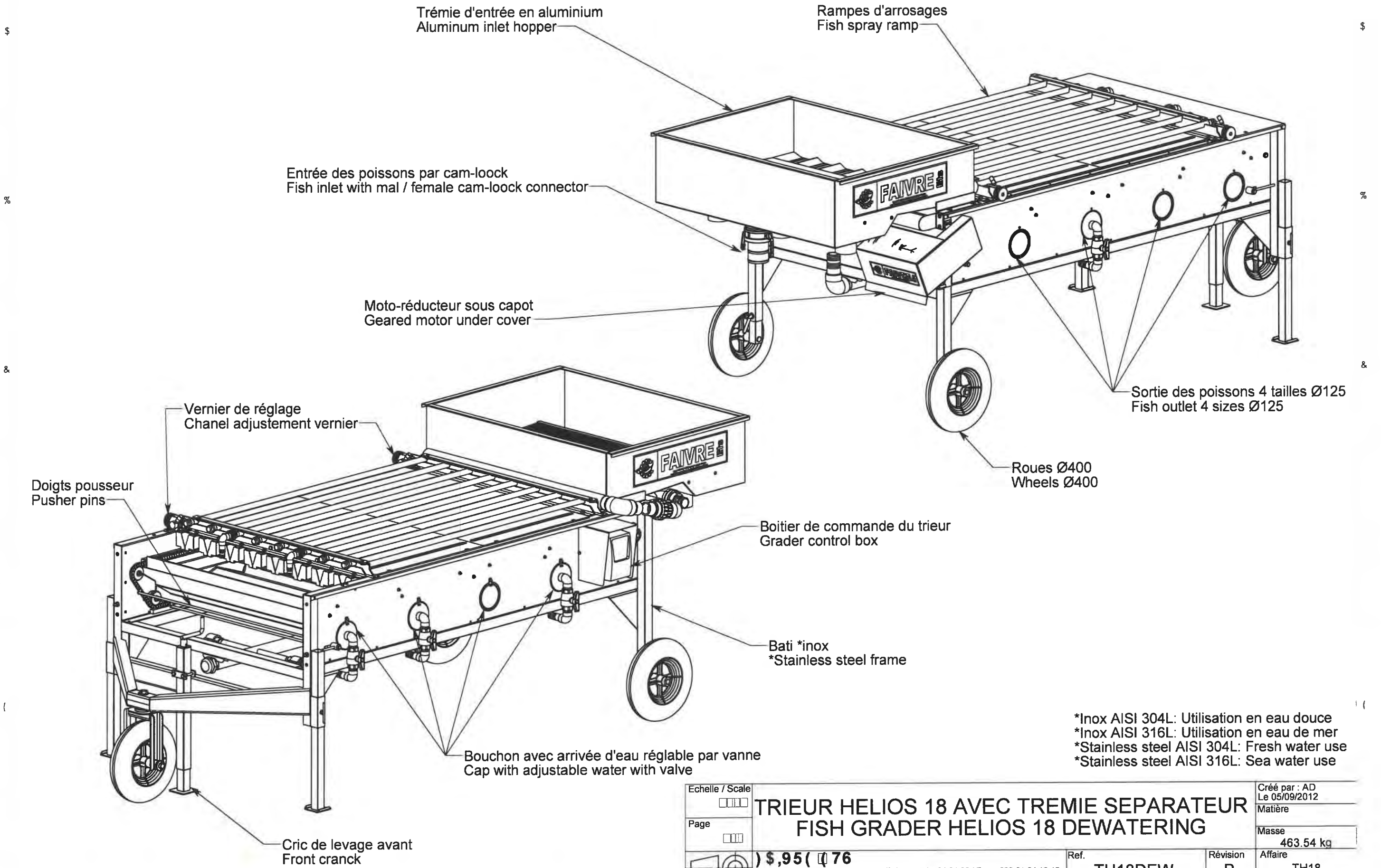
Hatchery grading pack : PH0602 + TH18DEW + 3 PESCA10				Echelle <b>1:50</b>
	<b>PAC2SHA4</b>	Rev	Créé le : 21/02/2020 par : F.K	
		ET	Révisé le : 21/02/2020 par : F.K	
7 rue de l'Industrie 25110 Baume les Dames France	Matière	Epaisseur	Traitement	Format <b>A3</b>
Tel : +33 (0)3 81.84.01.32 Fax : +33 (0)3 81.84.16.15 contact@faivre-aqua.com	Débit	Masse	Tolérance générale <b>ISO 2768-mK</b>	Folio <b>1/2</b>
<small>Ce document est la propriété exclusive de FAIVRE SASU et ne peut être reproduit ou communiqué à un tiers sans son autorisation écrite préalable. This document is the exclusive property of FAIVRE SASU and can not be reproduced or communicated to a third party without its prior written authorization.</small>				



Echelle / Scale	<b>TRIEUR HELIOS 100 AVEC TREMIE SEPARATEUR</b> <b>FISH GRADER HELIOS 100 DEWATERING</b>			Créé par : AD 05/09/2012
Page				Matière
	<b>1) \$,95 ( 76</b> 7 Rue de l'industrie 25110 Baume-Les-Dames			Masse 463.54 kg
	Tel : +333.81.84.01.32 / Fax : +333.81.84.16.15 Mail: info@faivre.fr		Ref TH18DEW	Révision B
Format				Affaire TH18
				Client

NON CONTRACTUAL PLAN.AMENDMENTS OF TECHNICAL DATA AS WELL AS OF MEASUREMENTS AND WEIGHTS SPECIFIED IN THIS DRAWING ARE RESERVED.  
 PLAN NON CONTRACTUEL.LES COTES SONT DONNEES A TITRE INDICATIF, LA SOCIETE SE RESERVANT LE DROIT A TOUTE MODIFICATION EVENTUELLE.





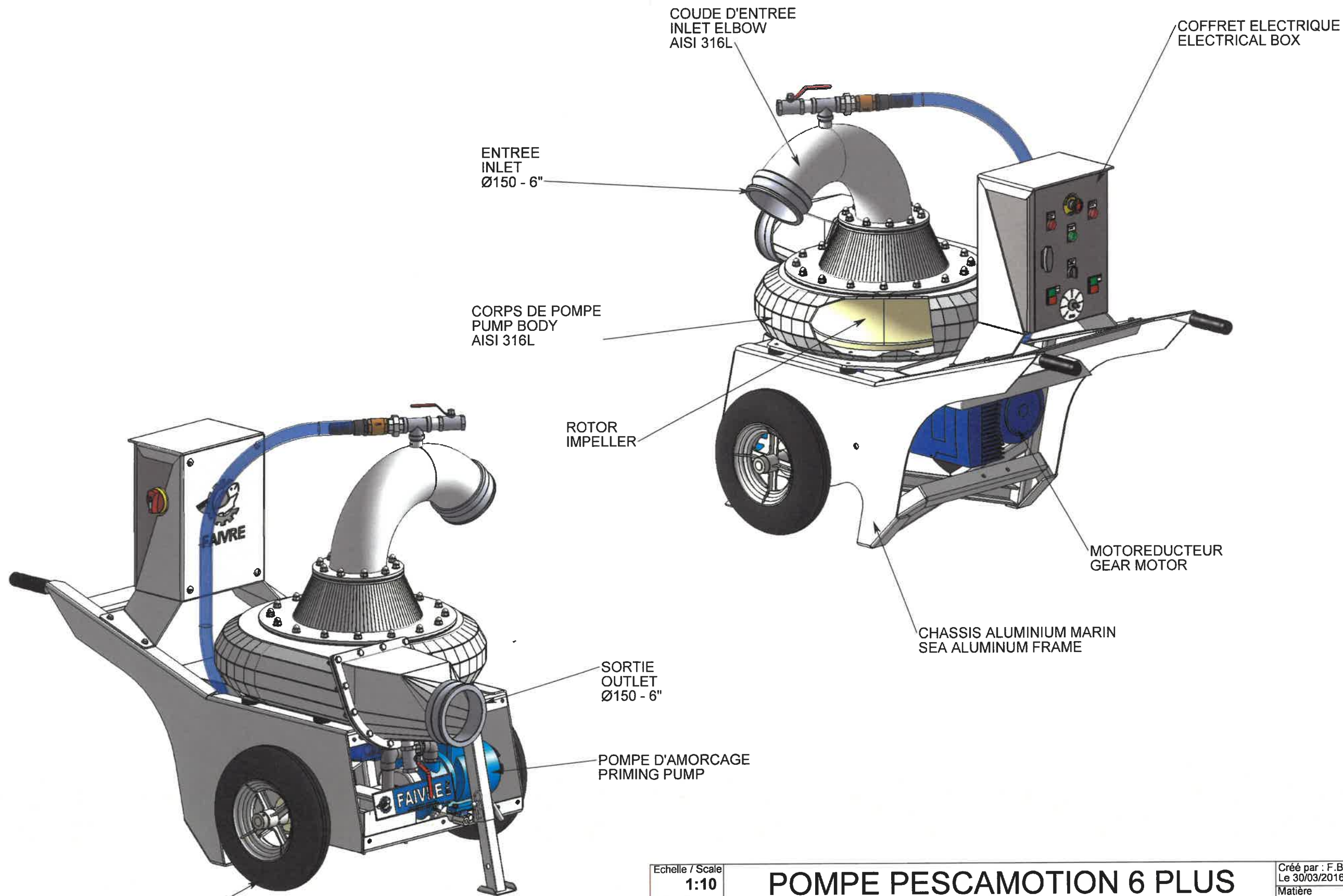
\*Inox AISI 304L: Utilisation en eau douce  
 \*Inox AISI 316L: Utilisation en eau de mer  
 \*Stainless steel AISI 304L: Fresh water use  
 \*Stainless steel AISI 316L: Sea water use

Echelle / Scale	<b>TRIEUR HELIOS 18 AVEC TREMIE SEPARATEUR</b>			Créé par : AD
	<b>FISH GRADER HELIOS 18 DEWATERING</b>			Le 05/09/2012
Page				Matière
				Masse
				463.54 kg
	) \$,95 ( 076		Ref. TH18DEW	Révision B
	7 Rue de l'industrie 25110 Baume-Les-Dames		Tel : +333.81.84.01.32 / Fax: +333.81.84.16.15 Mail: info@faivre.fr	Affaire TH18
Format				Client

NON CONTRACTUAL PLAN. AMENDMENTS OF TECHNICAL DATA AS WELL AS OF MEASUREMENTS AND WEIGHTS SPECIFIED IN THIS DRAWING ARE RESERVED.  
 PLAN NON CONTRACTUEL. LES COTES SONT DONNEES A TITRE INDICATIF. LA SOCIETE SE RESERVANT LE DROIT A TOUTE MODIFICATION EVENTUELLE.

1 2 3 4 5 6 7 8

A  
B  
C  
D  
E  
F



ROUES GONFLABLES  
ROAD WHEELS  
Ø400

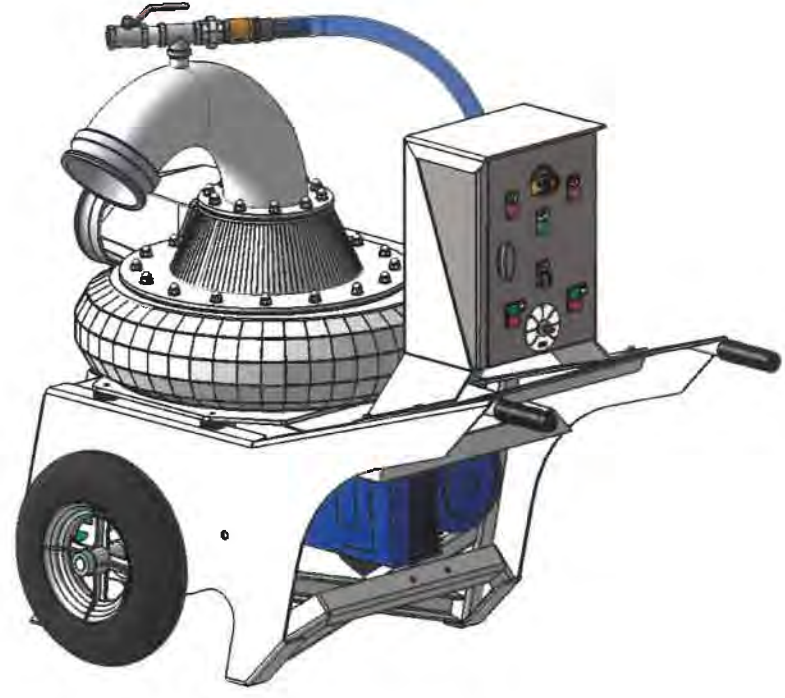
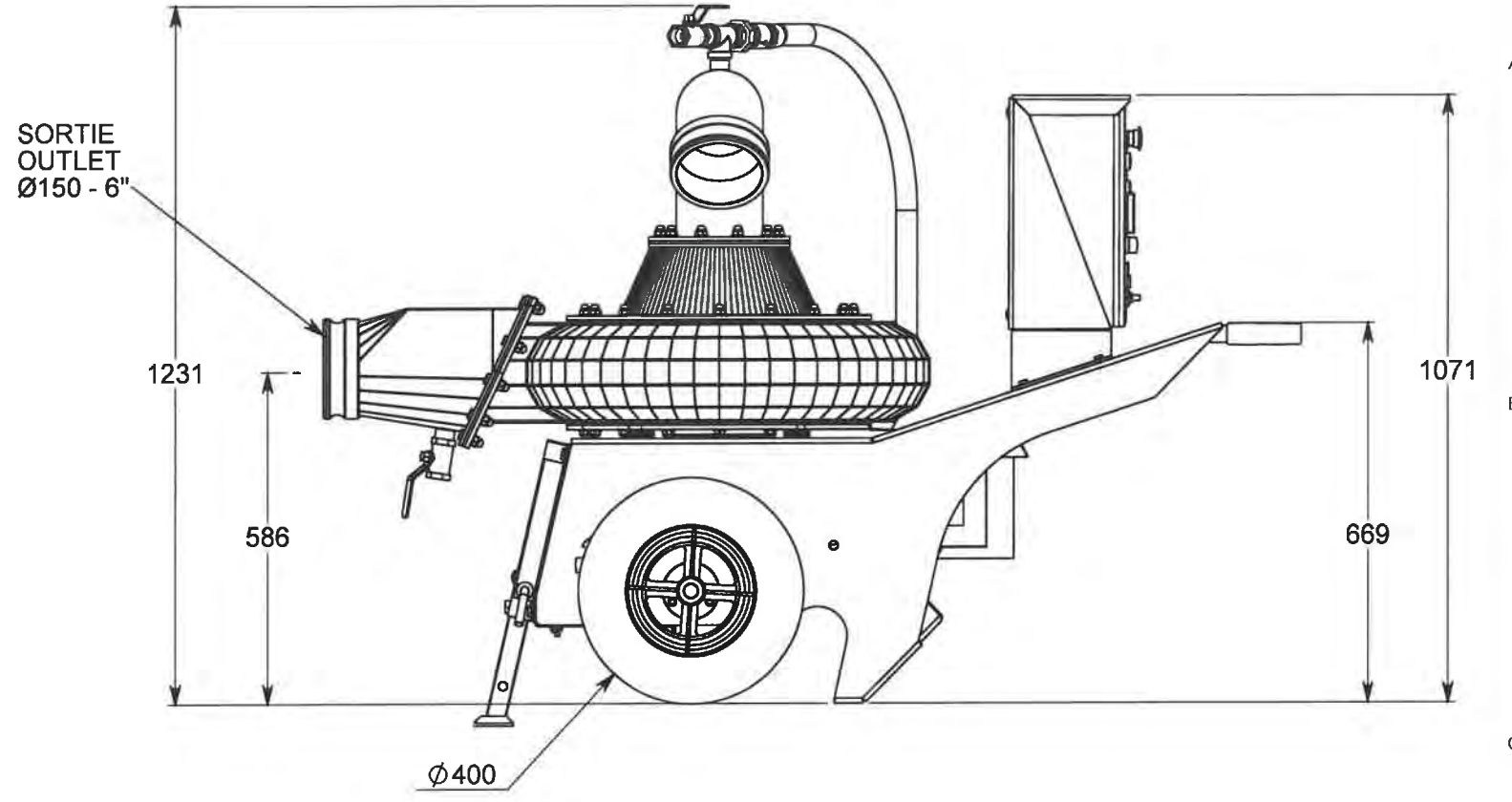
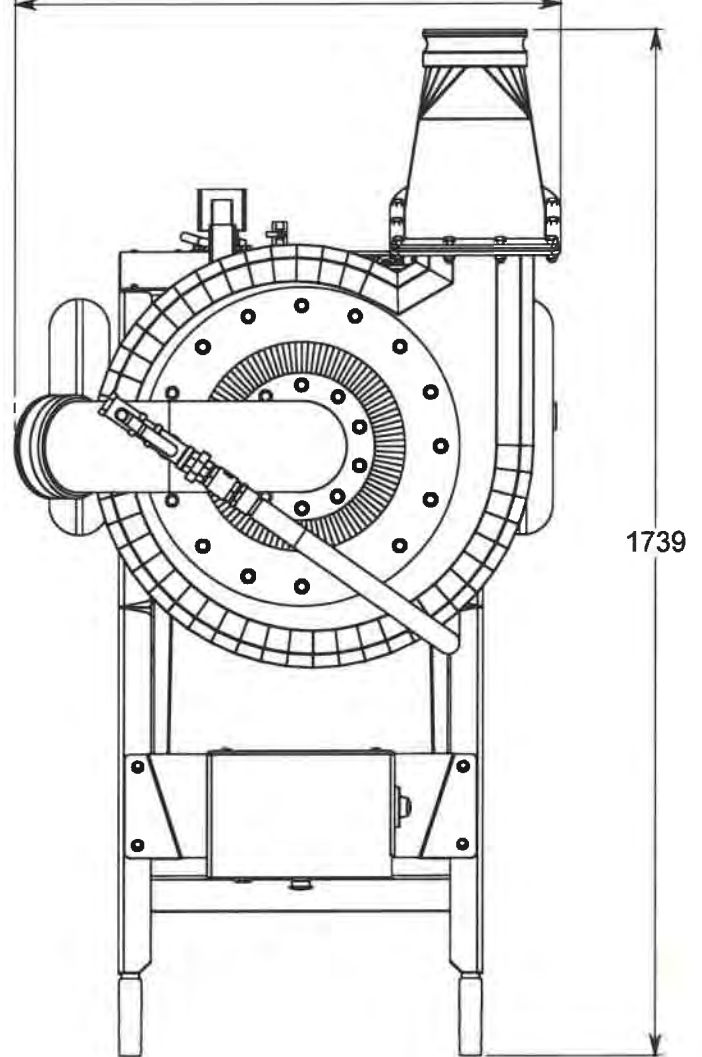
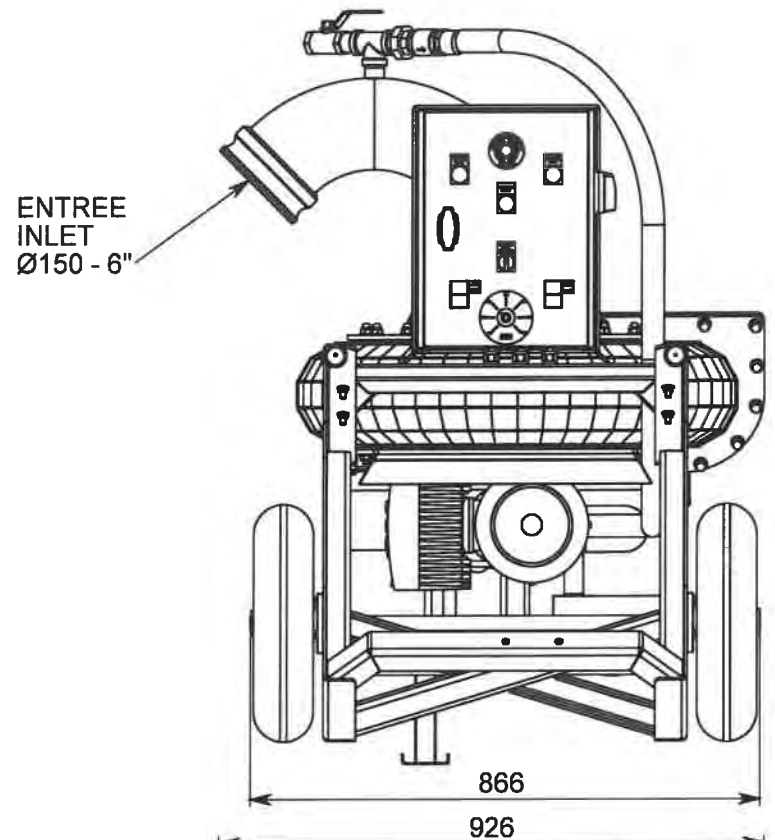
WEIGHT: 202kgs

NON CONTRACTUAL PLAN. AMENDMENTS OF TECHNICAL DATA AS WELL AS OF MEASUREMENTS AND WEIGHTS SPECIFIED IN THIS DRAWING ARE RESERVED.  
PLAN NON CONTRACTUEL. LES COTES SONT DONNEES A TITRE INDICATIF, LA SOCIETE SE RESERVANT LE DROIT A TOUTE MODIFICATION EVENTUELLE.

Echelle / Scale <b>1:10</b>	<b>POMPE PESCAMOTION 6 PLUS</b>			Créé par : F.B Le 30/03/2016
Page <b>2/2</b>	<b>FISH PUMP PESCAMOTION 6 PLUS</b>			Matière
Format <b>A3</b>	<b>FAIVRE ETS</b> 7 Rue de l'industrie 25110 Baume-Les-Dames		Ref. <b>PH0602</b>	Révision <b>ET</b>
	Tel : +333.81.84.01.32 / Fax : +333.81.84.16.15 Mail: info@faivre.fr			Affaire
	<b>POMPE 6" / FISH PUMP 6"</b>			Client

1 2 3 4 5 6 7 8





NON CONTRACTUAL PLAN. AMENDMENTS OF TECHNICAL DATA AS WELL AS OF MEASUREMENTS AND WEIGHTS SPECIFIED IN THIS DRAWING ARE RESERVED.  
 PLAN NON CONTRACTUEL. LES COTES SONT DONNEES A TITRE INDICATIF, LA SOCIETE SE RESERVANT LE DROIT A TOUTE MODIFICATION EVENTUELLE.

Echelle / Scale <b>1:12</b>	<b>POMPE PESCAMOTION 6 PLUS</b> <b>FISH PUMP PESCAMOTION 6 PLUS</b>		Créé par : F.B Le 30/03/2016		
Page <b>1/2</b>			Matière		
Format <b>A3</b>	<b>FAIVRE ETS</b> 7 Rue de l'Industrie 25110 Baume-Les-Dames Tel : +333.81.84.01.32 / Fax : +333.81.84.16.15 Mail: info@faivre.fr		Ref <b>PH0602</b>	Révision <b>ET</b>	Affaire
			<b>POMPE 6" / FISH PUMP 6"</b>		Client

1

2

3

4

5

6

7

8

A

B

C

D

E

F

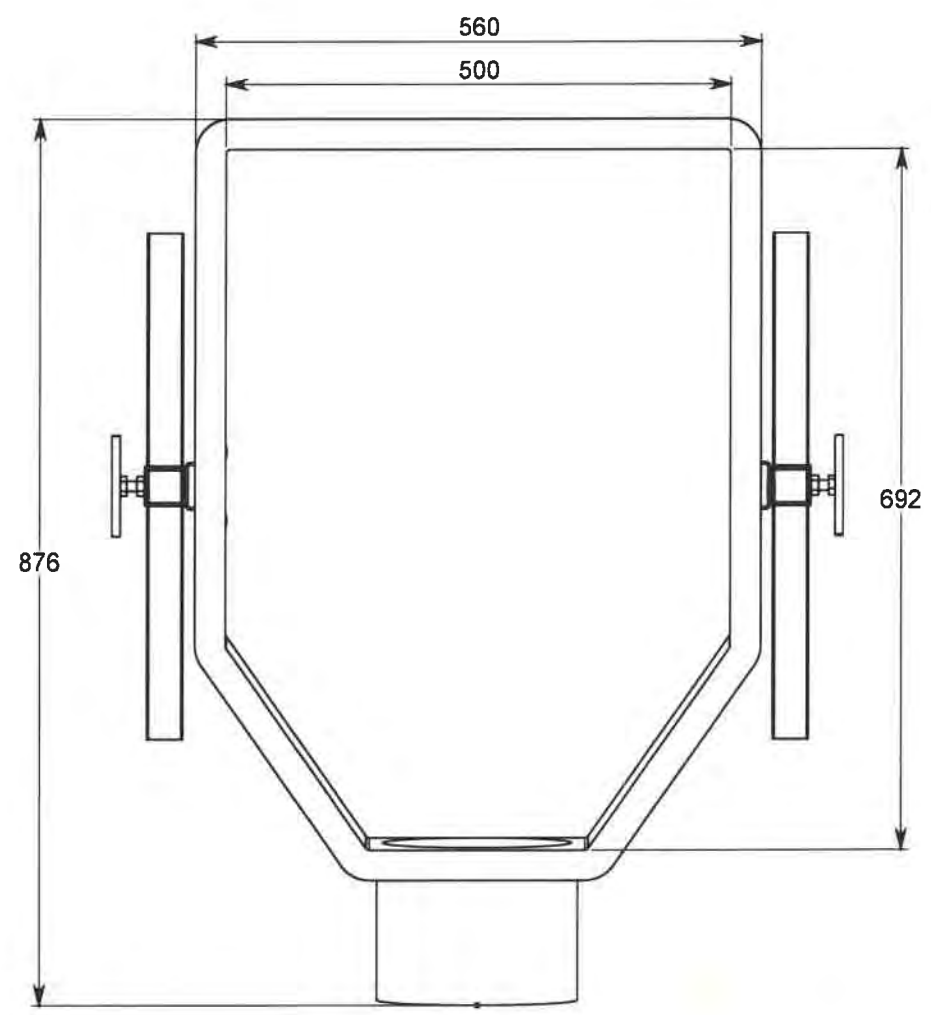
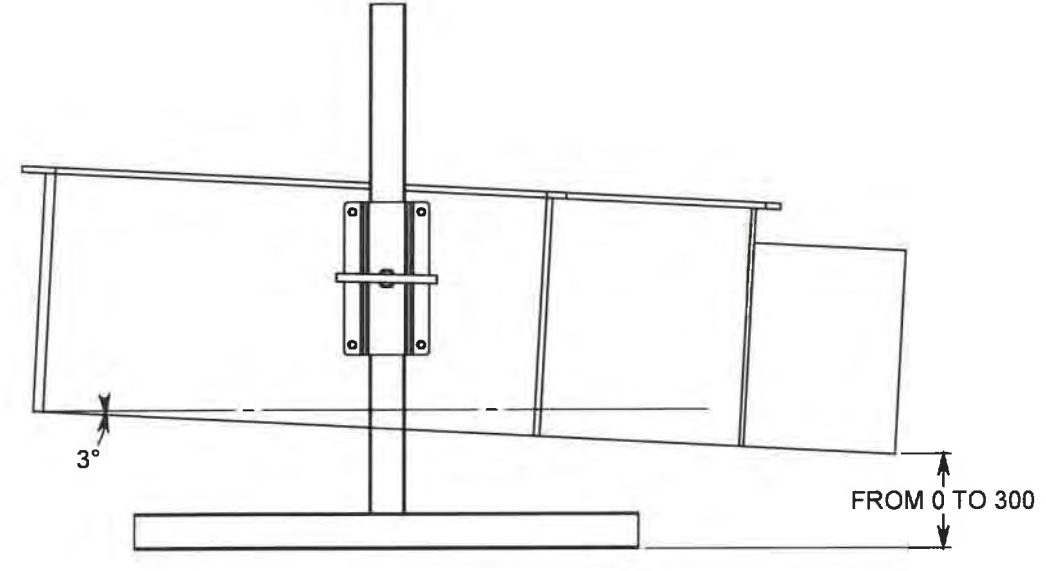
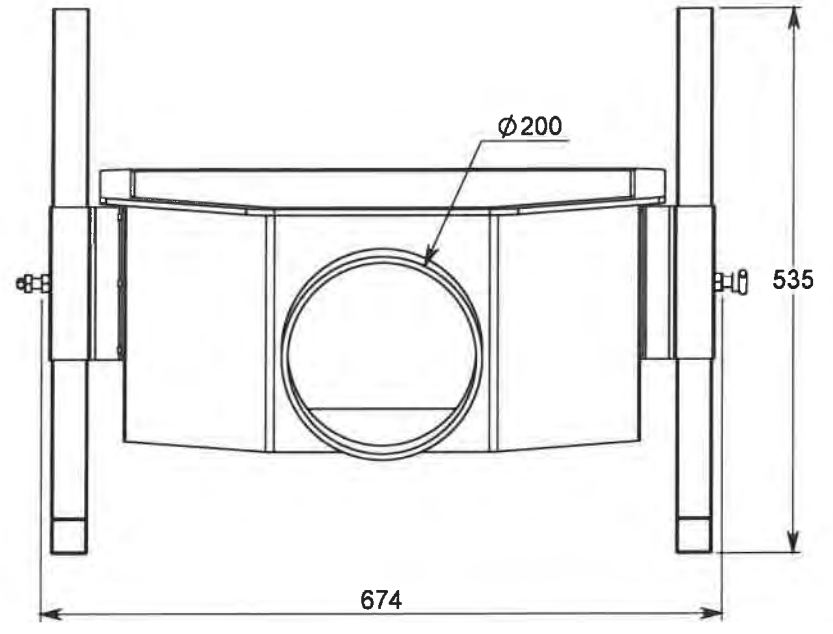
A

B

C

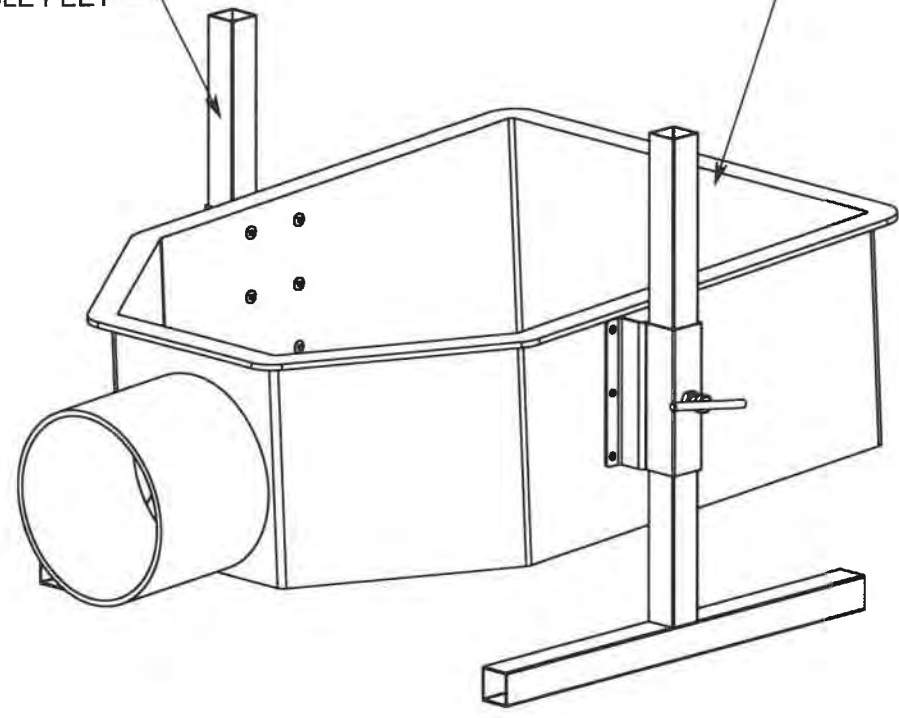
D

E



PIEDS REGLABLES INOX  
STAINLESS STEEL ADJUSTABLE FEET

BAC POLYESTER  
POLYESTER TANK



Echelle / Scale <b>1:7</b>	<b>A-C BAC POUR PESCAVISION</b> BAC DE RECEPTION Ø200 SUR PIEDS		Créé par : XF Le 11/02/2013
Page <b>1/1</b>			Matière
Format <b>A3</b>	<b>FAIVRE ETS</b> 7 Rue de l'industrie 25110 Baume-Les-Dames Tel : +333.81.84.01.32 / Fax : +333.81.84.16.15 Mail : info@faivre.fr	Ref. <b>CBRC200</b>	Masse <b>13.10 kg</b>
		Révision <b>B</b>	Affaire
			Client

1

2

3

4

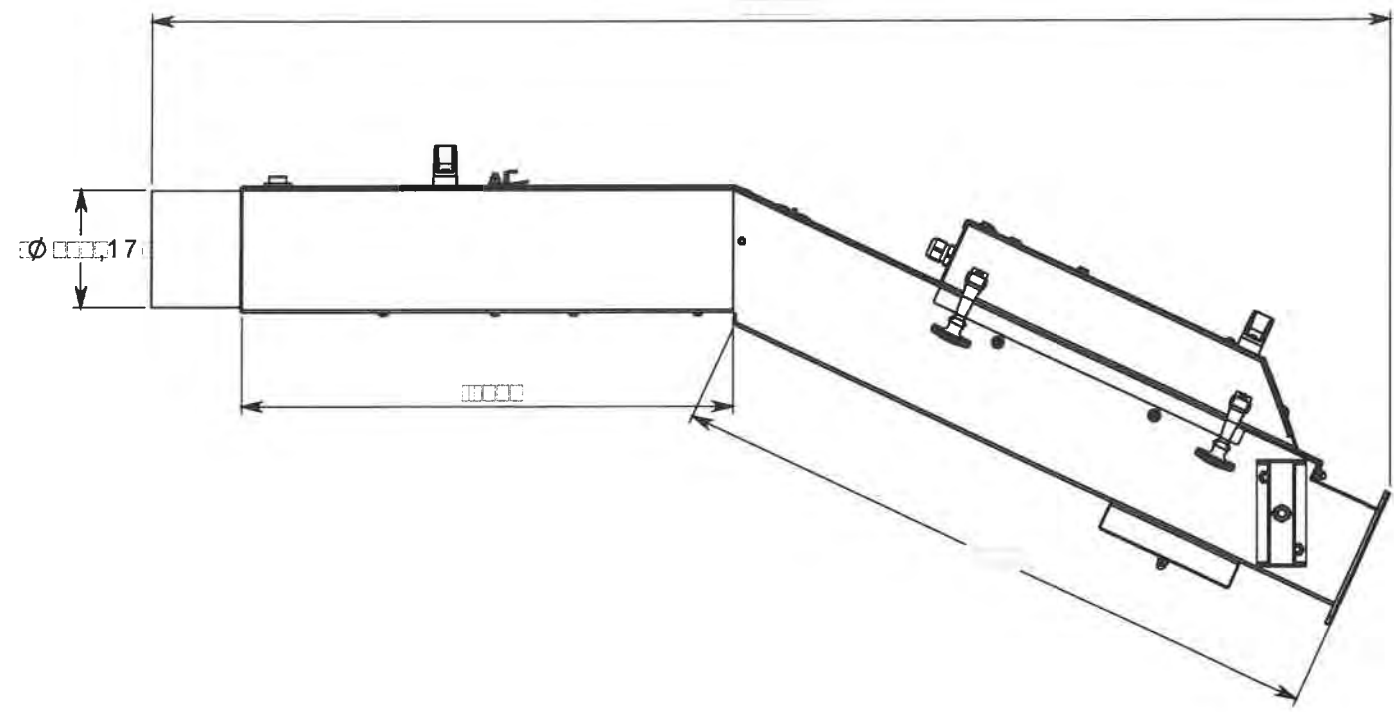
5

6

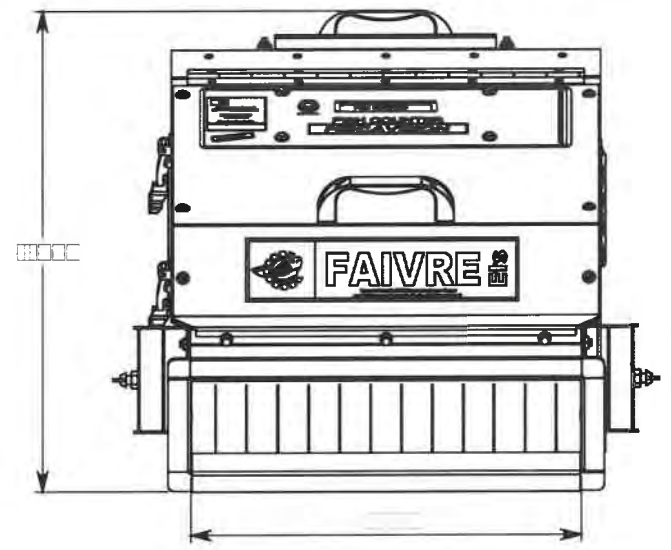
7

8

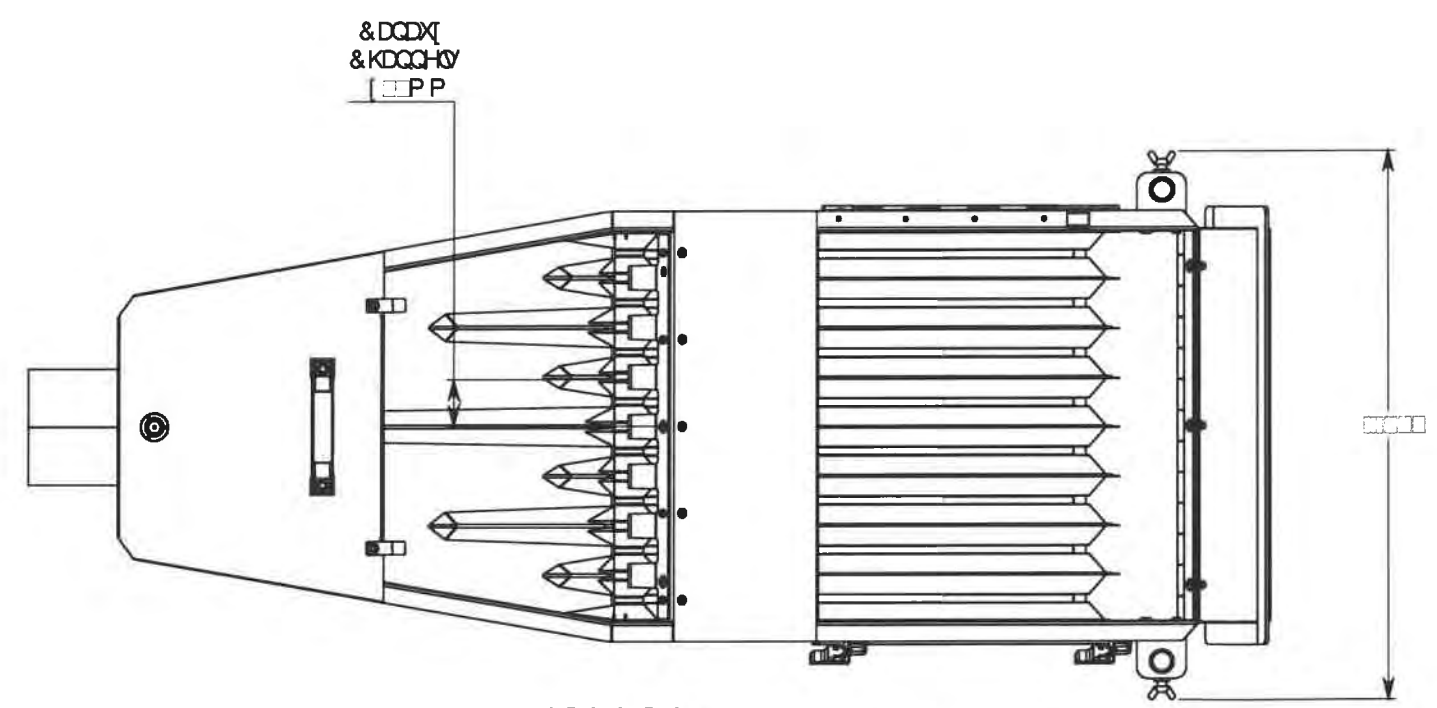




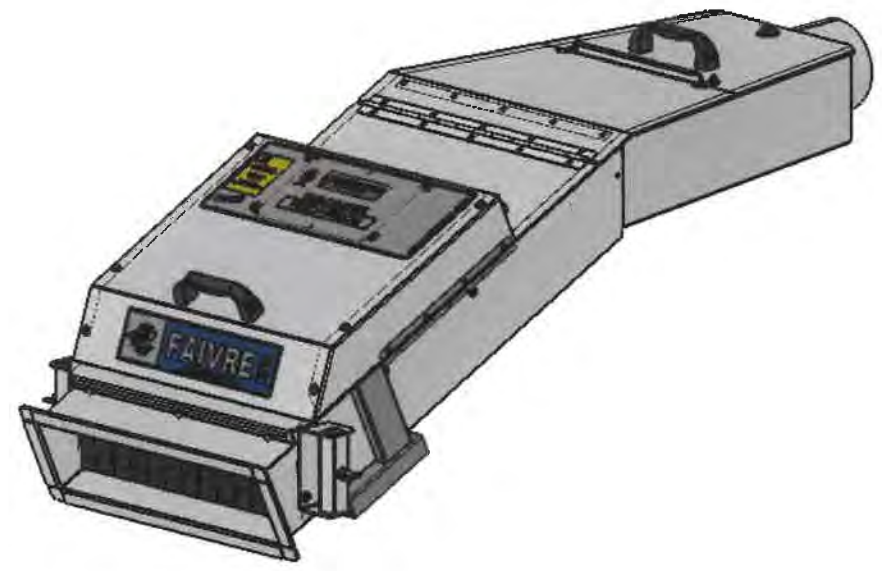
6, ' ( 9, ( :



) 52 17 9, ( :



, 16, ' ( 9, ( :



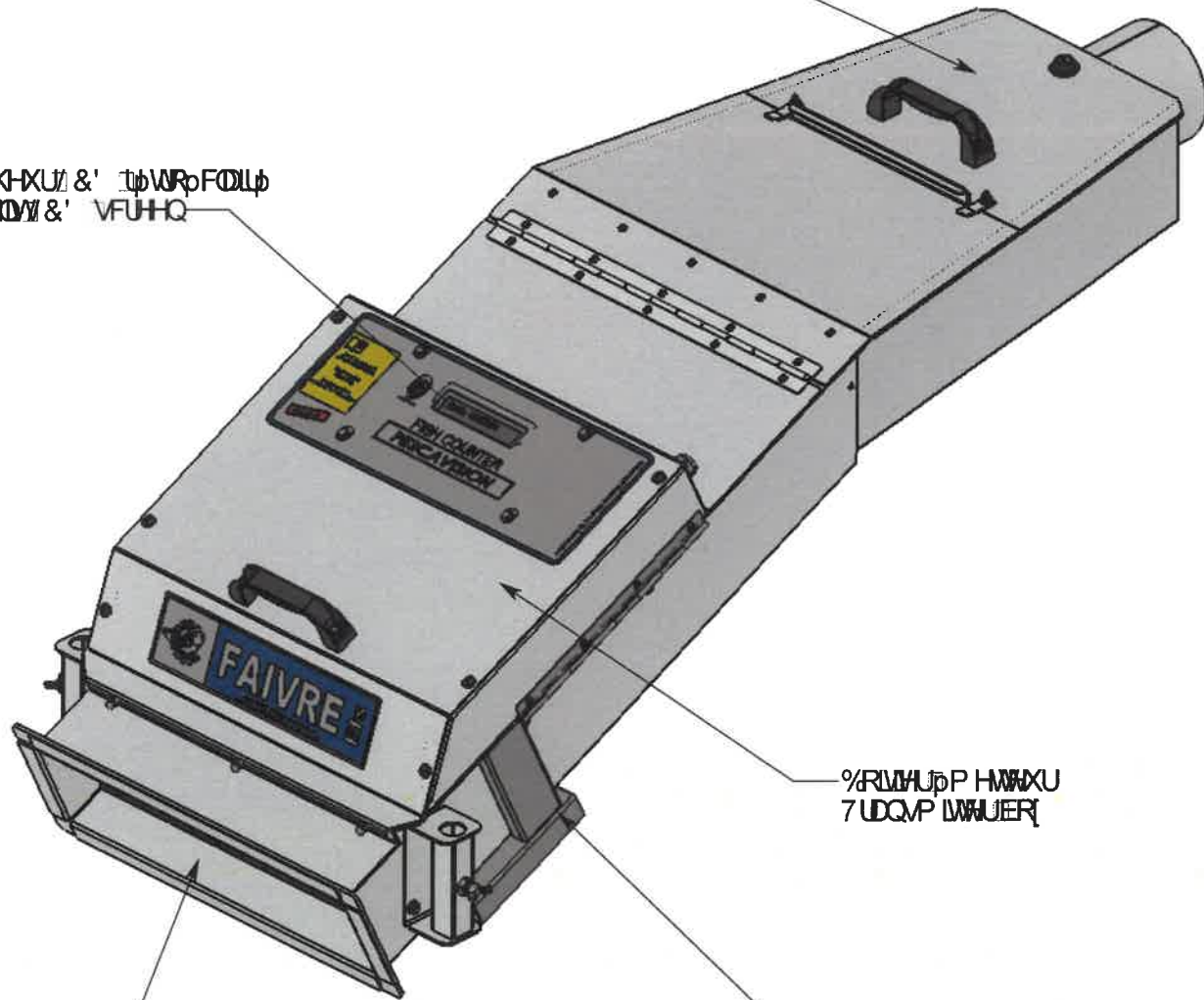
32, ' 6 ( 67, 0 ( \$ 9 ( 5 \$ \* ( ( , \* + 7  
 NUV

(FKH) 6 FDB		& 20 37 ( 85 3 ( 6 & \$ 9, 6, 21	& Upp SCU: \$'
3DJH		) , 6 + & 28 17 ( 5 3 ( 6 & \$ 9, 6, 21	0 DWUH
		\$ , 95 ( 76	0 DWH
		3 ( 6 & \$	5 p YMRQ % \$ IIDUH & 3
RUP DW			& QW

121 & 2175 & 78 3 / \$ 1 . 50 ( 1 ' 0 ( 176 . 2 ) 7 ( & + 1 & S / - \$ 7 \$ S 6 - ( / / \$ 6 . 2 ) 0 ( \$ 68 50 ( 176 . 51 ' - ( , \* + 76 . 83 ( & ) , ( ' - 17 + 6 - 5 \$ : - 1 ' . \$ 5 ( . 5 ( 6 ( 59 ( ' 3 / \$ 1 . 12 1 & 2175 & 78 ( / / ( 6 & 27 ( 6 . 62 17 : 2 11 ( ( 6 \$ . 7, 75 ( - 1 ' , & 57 ) / \$ 62 & , ( 7 ( 5 ( 6 ( 59 \$ 17 ) ( - 52 , 7 \$ 72 87 ( . 02 ' ) , & 57 , 21 ( 9 ( 178 ( / / ( L

& RP SWXUFRQMXLWHDQXP LQXP TP DUQ  
& RXQNUF DGHRI VHDQXP LQXP

\$ IIEFKXUJ & ' TPWRFOUJ  
& DFNDWJ & VFUHQ

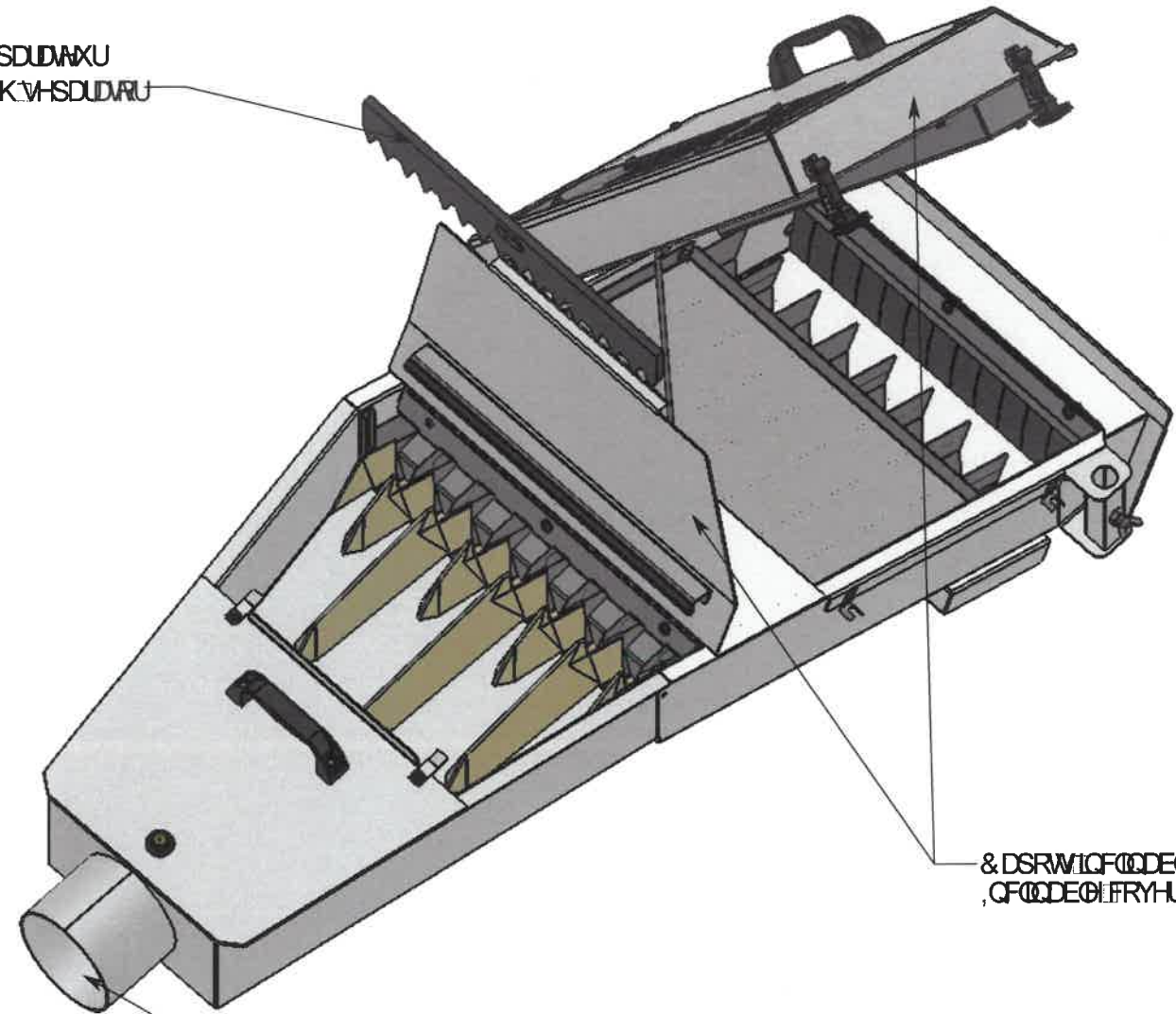


6 RUVH  
) LK RXVSW

%RVAUJ P HWXU  
7 UDQP LWHUERJ

%RVAUJ P FHSWXU  
5 HFHYHUERJ

6 pSDUDWXU  
) LK VHSUDVU



& DSRWICFQDEON  
, CFQDEOFHYUJ

( QW HGHV SRLWRQ  
) LK LQDM

(FKRDE 6 FDB □□□	&2037(85 □3(6&\$9,6,21 □□□	&Up:SDUES' / HSDUWDECC
3DJH □□□	),6+ □&2817(5 □3(6&\$9,6,21 □□□	0 DMUH
5H □	),95( □76	0 DMH
5 pYVIRQ	3(6&\$ □□	%
\$ □		&3 □□
		&QW